

Feed and Solvent Flush Kits

310863N

EN

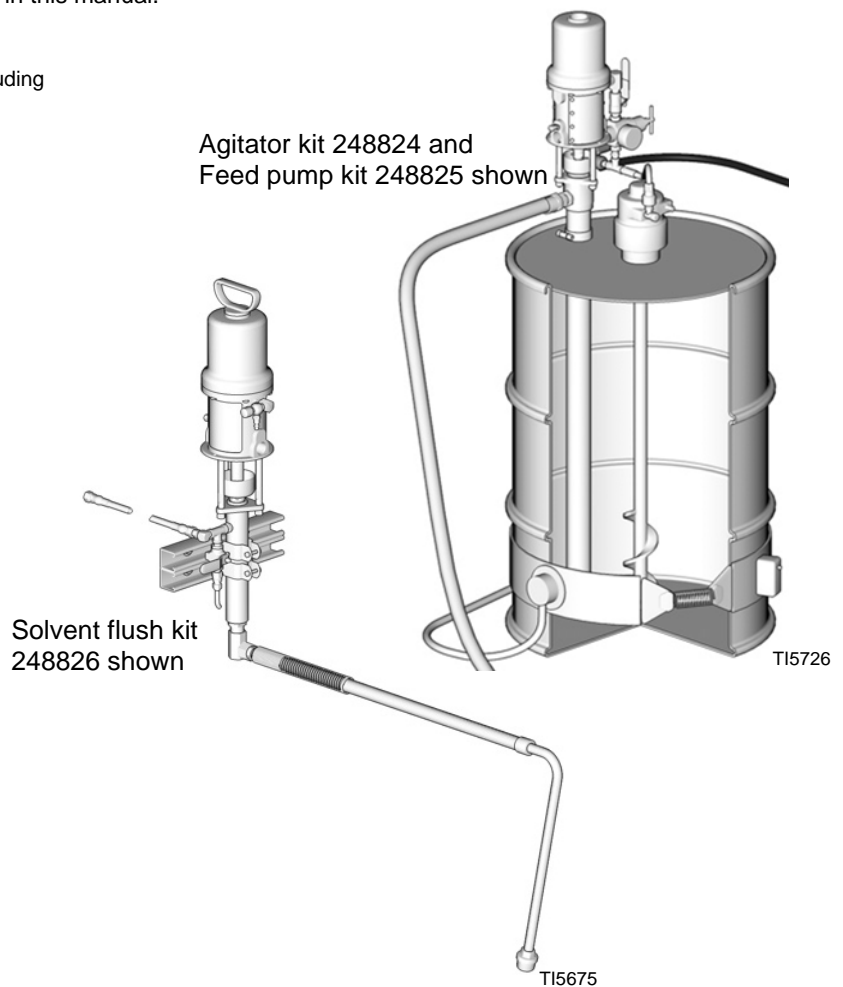
For use with proportioner systems. For professional use only.



Important Safety Instructions

Read all warnings and instructions in this manual.
Save these instructions.








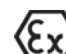




See page 2 for model information, including maximum working pressure.



Contents

Pump Kits	2	Troubleshooting/Repair	8
Manual Conventions	3	Parts	9
Warnings	4	Graco Standard Warranty	16
Installation	6	Graco Information	16
Operation/Maintenance	8		

Pump Kits

Complete Package (fluid and air)	Description	Maximum Air Working Pressure	Maximum Fluid Working Pressure	Approvals
248824	Agitator kit with air connection	100 psi (0.7 MPa, 7 bar)	NA	  II 1/2 G c T3 ITS03ATEX11226 Agitator 224854
248825	Monark® 5:1 feed pump, drum size	180 psi (1.2 MPa, 12 bar)	900 psi (6.2 MPa, 62 bar)	  0359 II 1/2 G c T2 ITS03ATEX11228 Pump 218956
248826	Monark® 23:1° wall-mount, pail size, solvent flush kit	120 psi (0.8 MPa, 8 bar)	2760 psi (19 MPa, 190 bar)	  0359 II 1/2 G c T3 ITS03ATEX11228 Pump 223596
248885	Monark® 23:1 5-gallon, pail-mount, solvent flush kit	120 psi (0.8 MPa, 8 bar)	2760 psi (19 MPa, 190 bar)	  0359 II 1/2 G c T3 ITS03ATEX11251 Pump 223596
248951 OBSOLETE (replaced by 258980)	Merkur® 40:1 wall-mount, pail size, solvent flush kit	100 psi (0.7 MPa, 7 bar)	4000 psi (28 MPa, 280 bar)	
258980	Merkur® 45:1 wall-mount, solvent flush kit	100 psi (0.7 MPa, 7 bar)	4500 psi (31 MPa, 310 bar)	  II 2 G Ex h T3 (200°C) Gb Pump 262287
262393	Merkur® 45:1 machine-mount, solvent flush kit; XP systems	100 psi (0.7 MPa, 7 bar)	4500 psi (31 MPa, 310 bar)	  II 2 G Ex h T3 (200°C) Gb Pump 262392

Manual Conventions



WARNING



Hazard Symbol

WARNING: a potentially hazardous situation which, if not avoided, could result in death or serious injury.

Warnings in the instructions usually include a symbol indicating the hazard. Read the general **Warnings** section for additional safety information.

CAUTION

CAUTION: a potentially hazardous situation which, if not avoided, may result in property damage or destruction of equipment.





Note



Additional helpful information.

Warnings

The following general warnings are related to the safe setup, use, grounding, maintenance, and repair of this equipment. Additional more specific warnings may be found throughout the text of this manual where applicable.

 WARNING	
	<p>FIRE AND EXPLOSION HAZARD</p> <p>Flammable fumes, such as solvent and paint fumes, in work area can ignite or explode. To help prevent fire and explosion:</p> <ul style="list-style-type: none"> • Use equipment only in well ventilated area. • Eliminate all ignition sources; such as pilot lights, cigarettes, portable electric lamps, and plastic drop cloths (potential static arc). • Keep work area free of debris, including solvent, rags and gasoline. • Do not plug or unplug power cords, or turn power or light switches on or off when flammable fumes are present. • Ground equipment and conductive objects in work area. See Grounding instructions. • Use only grounded hoses. • Hold gun firmly to side of grounded pail when triggering into pail. • If there is static sparking or you feel a shock, stop operation immediately. Do not use equipment until you identify and correct the problem. • Keep a fire extinguisher in the work area.
	<p>SKIN INJECTION HAZARD</p> <p>High-pressure fluid from gun, hose leaks, or ruptured components will pierce skin. This may look like just a cut, but it is a serious injury that can result in amputation. Get immediate surgical treatment.</p> <ul style="list-style-type: none"> • Do not spray without tip guard and trigger guard installed. • Engage trigger lock when not spraying. • Do not point gun at anyone or at any part of the body. • Do not put your hand over the spray tip. • Do not stop or deflect leaks with your hand, body, glove, or rag. • Follow the Pressure Relief Procedure when you stop spraying and before cleaning, checking, or servicing equipment. • Tighten all fluid connections before operating the equipment. • Check hoses and couplings daily. Replace worn or damaged parts immediately.
	<p>EQUIPMENT MISUSE HAZARD -</p> <p>Misuse can cause death or serious injury.</p> <ul style="list-style-type: none"> • Do not exceed the maximum working pressure or temperature rating of the lowest rated system component. See Technical Data in all equipment manuals. • Use fluids and solvents that are compatible with equipment wetted parts. See Technical Data in all equipment manuals. Read fluid and solvent manufacturer's warnings. • Check equipment daily. Repair or replace worn or damaged parts immediately. • Do not alter or modify equipment. • For professional use only. • Use equipment only for its intended purpose. Call your Graco distributor for information. • Route hoses and cables away from traffic areas, sharp edges, moving parts, and hot surfaces. • Do not kink or overbend hoses or use hoses to pull equipment. • Comply with all applicable safety regulations.

 **WARNING****TOXIC FLUID OR FUMES HAZARD**

Toxic fluids or fumes can cause serious injury or death if splashed in the eyes or on skin, inhaled, or swallowed.

- Read MSDS's to know the specific hazards of the fluids you are using.
- Store hazardous fluid in approved containers, and dispose of it according to applicable guidelines.

**PERSONAL PROTECTIVE EQUIPMENT**

You must wear appropriate protective equipment when operating, servicing, or when in the operating area of the equipment to help protect you from serious injury, including eye injury, inhalation of toxic fumes, burns, and hearing loss. This equipment includes but is not limited to:


- Protective eyewear
- Clothing and respirator as recommended by the fluid and solvent manufacturer
- Gloves
- Hearing protection

Installation

If this equipment is used in a Hydra-Cat™ or Xtreme Mix™ proportioning package, see manual 310794.

1. Install solvent flush kit

- a. See FIG. 1. Install pump using mounting bracket (202) and hardware supplied. Mount bracket on wall, back of proportioner stand, or cart.

 For wall mount, ensure that wall is strong enough to support weight of equipment, fluid, hoses, and stress caused during operation. Mount at a convenient height for operation and maintenance, and so suction hose is not stretched tight. Ensure that equipment is level.

- b. Connect suction hose (207) to elbow (206) at pump inlet. Place suction tube in container of solvent.

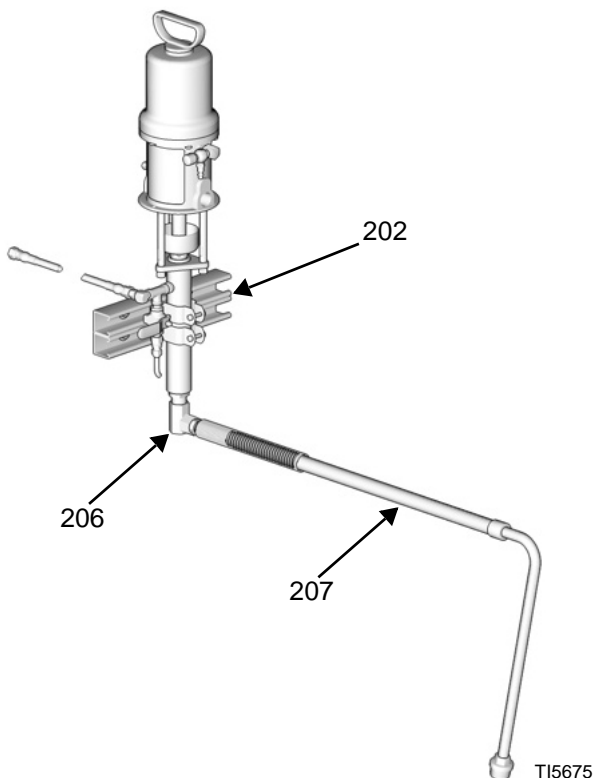


FIG. 1: Solvent Flush Kit

2. Install feed kits

- a. See FIG. 2. Install feed pump (101) in drum and secure with bung adapter (BA).
- b. Install air control kit (104).
- c. Screw swivel union (103) into pump fluid outlet. Connect hose (102) to swivel. Connect other end of hose to proportioner.

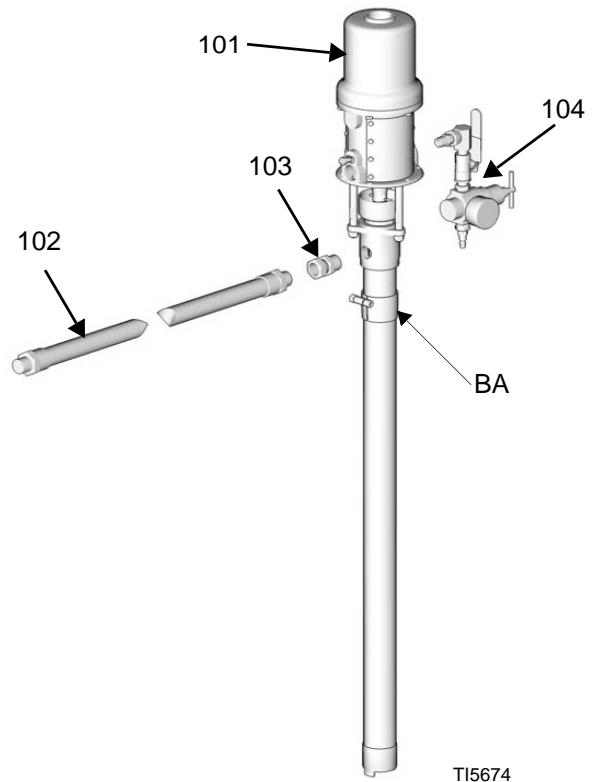


FIG. 2: Feed Pump

3. Install agitator kit

- a. See FIG. 3. Install agitator (1) in drum.
- b. Screw air line fitting (2a) into agitator inlet. Connect air line coupler (2b) into fitting (2a).

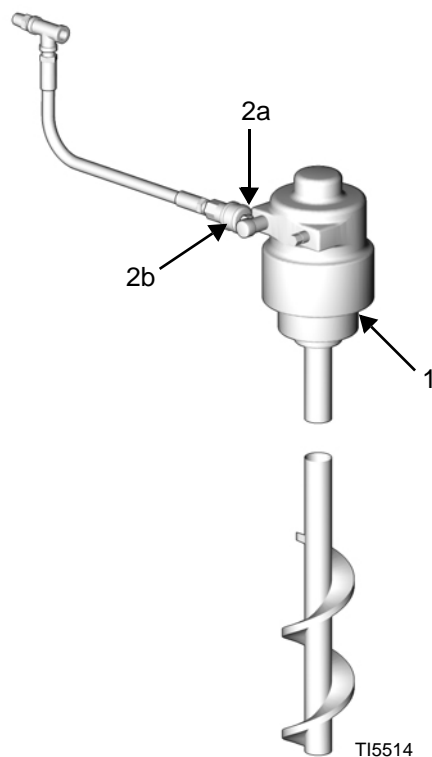


FIG. 3: Agitator Kit

4. Connect air lines

- a. Shut off air valves at feed pumps.
- b. Connect air lines to quick disconnect fittings at feed pump and agitator.

5. Grounding

WARNING





Your system must be grounded. Read warnings, page 4.

- **Proportioner pump:** follow instructions in proportioner operation manual.
- **Air and fluid hoses:** use only electrically conductive hoses.
- **Air compressor:** follow manufacturer's recommendations.
- **Spray gun:** ground through connection to a properly grounded fluid hose and pump.
- **Feed pumps and solvent pump:** follow instructions in feed pump manual.
- **Object being sprayed:** follow local code.
- **Solvent pails used when flushing:** follow local code. Use only conductive metal pails, placed on a grounded surface. Do not place the pail on a non-conductive surface, such as paper or cardboard, which interrupts grounding continuity.
- **To maintain grounding continuity when flushing or relieving pressure:** hold metal part of the spray gun/dispense valve firmly to the side of a grounded metal pail, then trigger the gun/valve.

6. Flush Before Using Equipment

The equipment was tested with lightweight oil, which is left in the fluid passages to protect parts. To avoid contaminating your fluid with oil, flush the equipment with a compatible solvent before using the equipment. See **Flushing the System** in the proportioner operation manual.

Operation/Maintenance

Refer to separate pump and agitator manuals for operation and maintenance instructions. See parts lists beginning on page 9 for manual numbers.

Troubleshooting/Repair

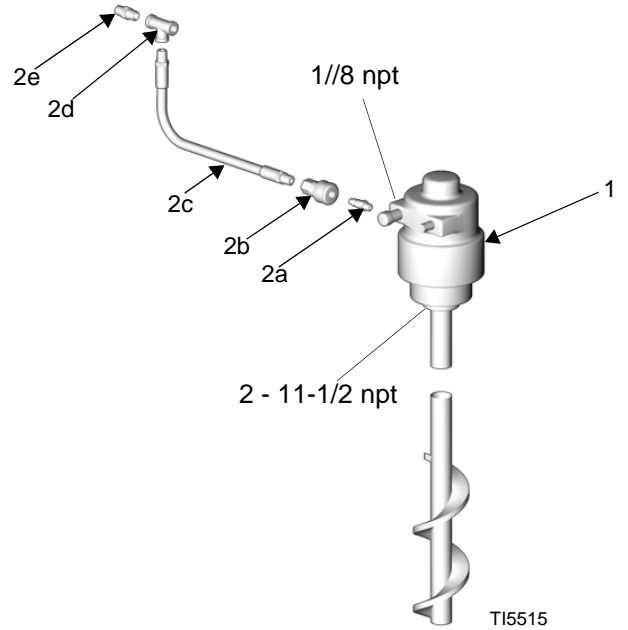
Refer to separate pump and agitator manuals for operation and maintenance instructions. See parts lists beginning on page 9 for manual numbers.

Parts

Part No. 248824, Agitator Kit with Air Connection

Ref. No.	Part No.	Description
1	224854	AGITATOR, helix; see 308175
2	249002	KIT, air line, agitator
2a	169969	FITTING, air line
2b	208536	COUPLER, air line
2c	203266	HOSE, coupled, air
2d	104984	TEE, pipe, 1/4 npt
2e	156971	NIPPLE, short, 1/4 npt

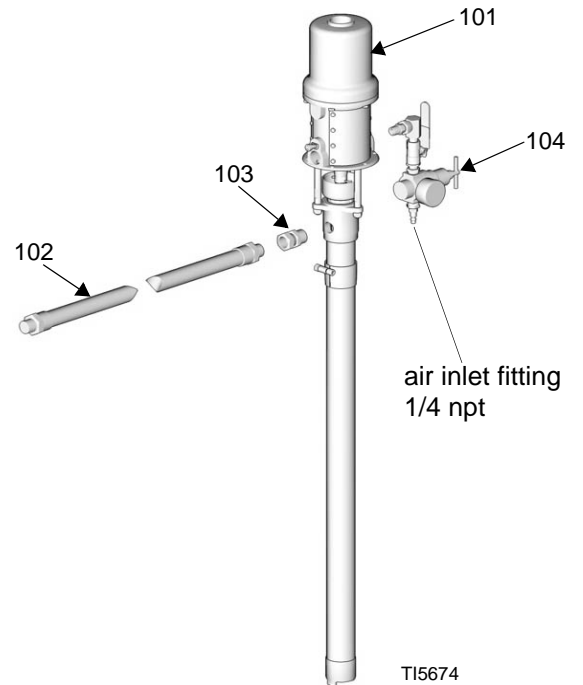
Qty
.
1
1



Part No. 248825, Feed Kit, 5:1 Monark

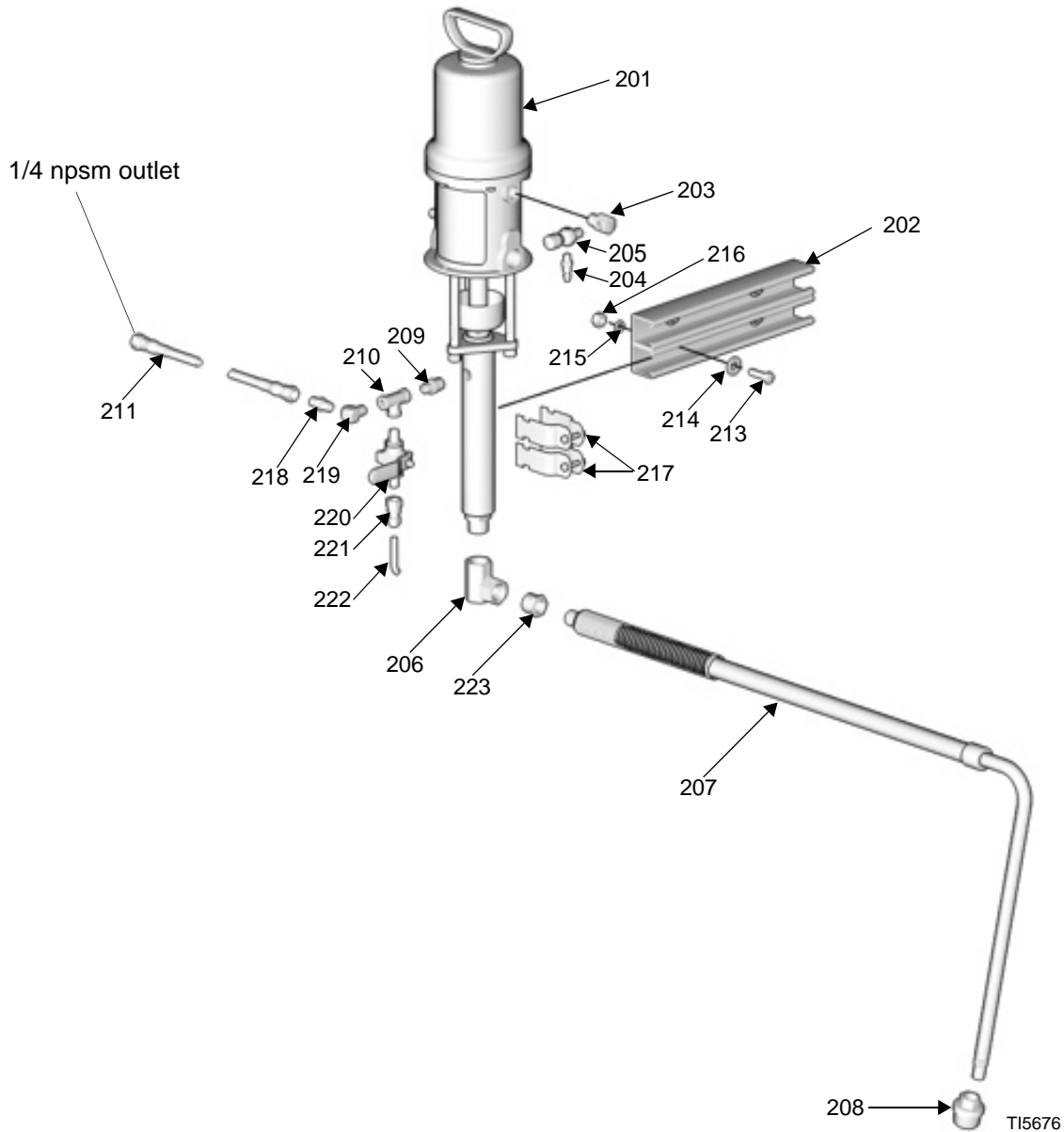
Ref. No.	Part No.	Description
101	218956	PUMP, Monark 5:1; see 307044
102	217382	HOSE, coupled, 10 ft (3.05 m) x 3/4 id
103	157785	FITTING, swivel, 3/4 npsm (m x f)
104	248829	REGULATOR KIT, air, feed pump

Qty
.
1
1
1
1



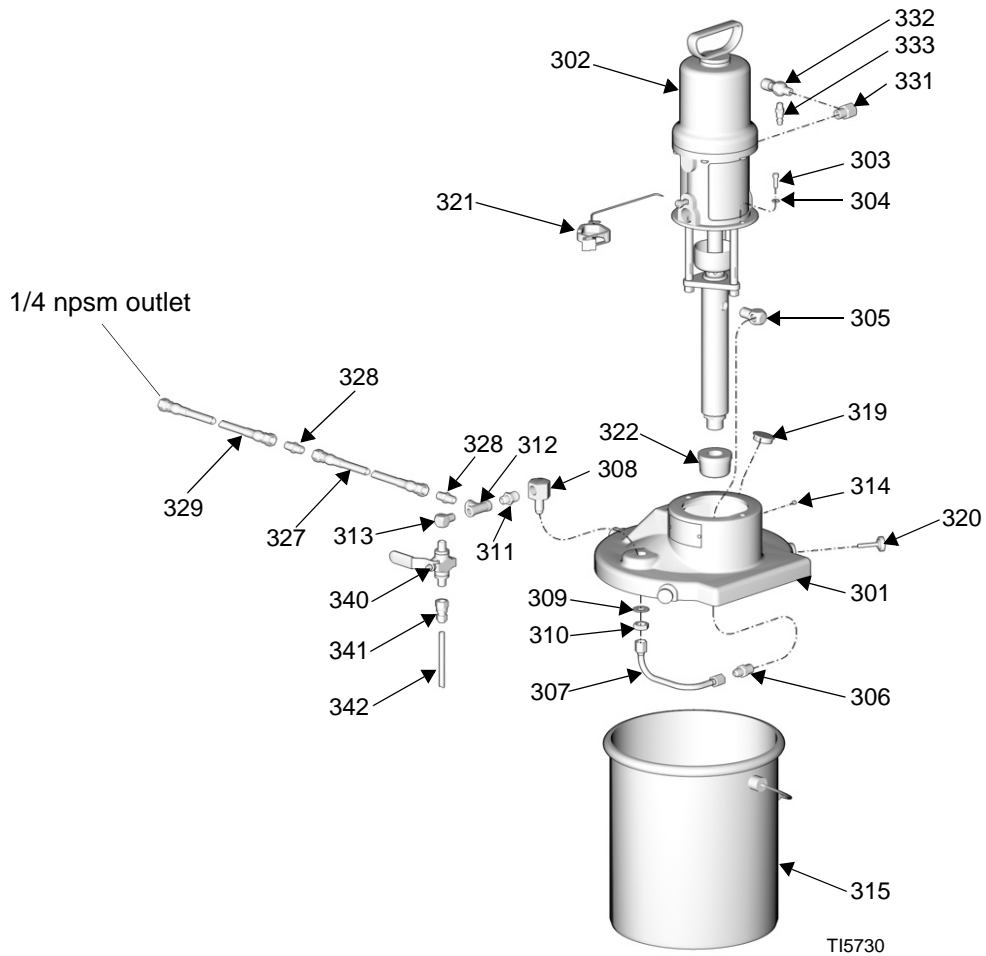
Part No. 248826, Solvent Flush Kit

Ref. No.	Part No.	Description	Qty	Ref. No.	Part No.	Description	Qty
201	223596	PUMP, Monark, 23:1 (chrome); see 307619	1	210	104984	TEE, pipe	1
202	15E737	SUPPORT, clamp, solvent pump	1	211	223541	HOSE, coupled, 50 ft (15.24 m)	1
203	164259	ELBOW, street	1	213	100004	SCREW, cap, hex head	4
204	169969	FITTING, air line	1	214	100132	WASHER, flat	4
205	206264	VALVE, needle	1	215	100052	WASHER, lock	4
206	156589	FITTING, union, adapter, 90°	1	216	101213	NUT, full, hex	4
207	244354	HOSE, suction, (5-gallon pail)	1	217	15E756	CLAMP, unistrut mount, Monark	2
208	187651	STRAINER, 3/4-16 unf	1	218	156971	NIPPLE, short	1
209	157350	ADAPTER, 3/8 npt x 1/4 npt	1	219	100840	ELBOW, street	1
				220	238635	VALVE, ball, cs	1
				221	205447	COUPLING, hose	1
				222	061132	HOSE, nylon, wpr 225, 4 ft (1.22 m)	1
				223	100896	FITTING, bushing, pipe	1



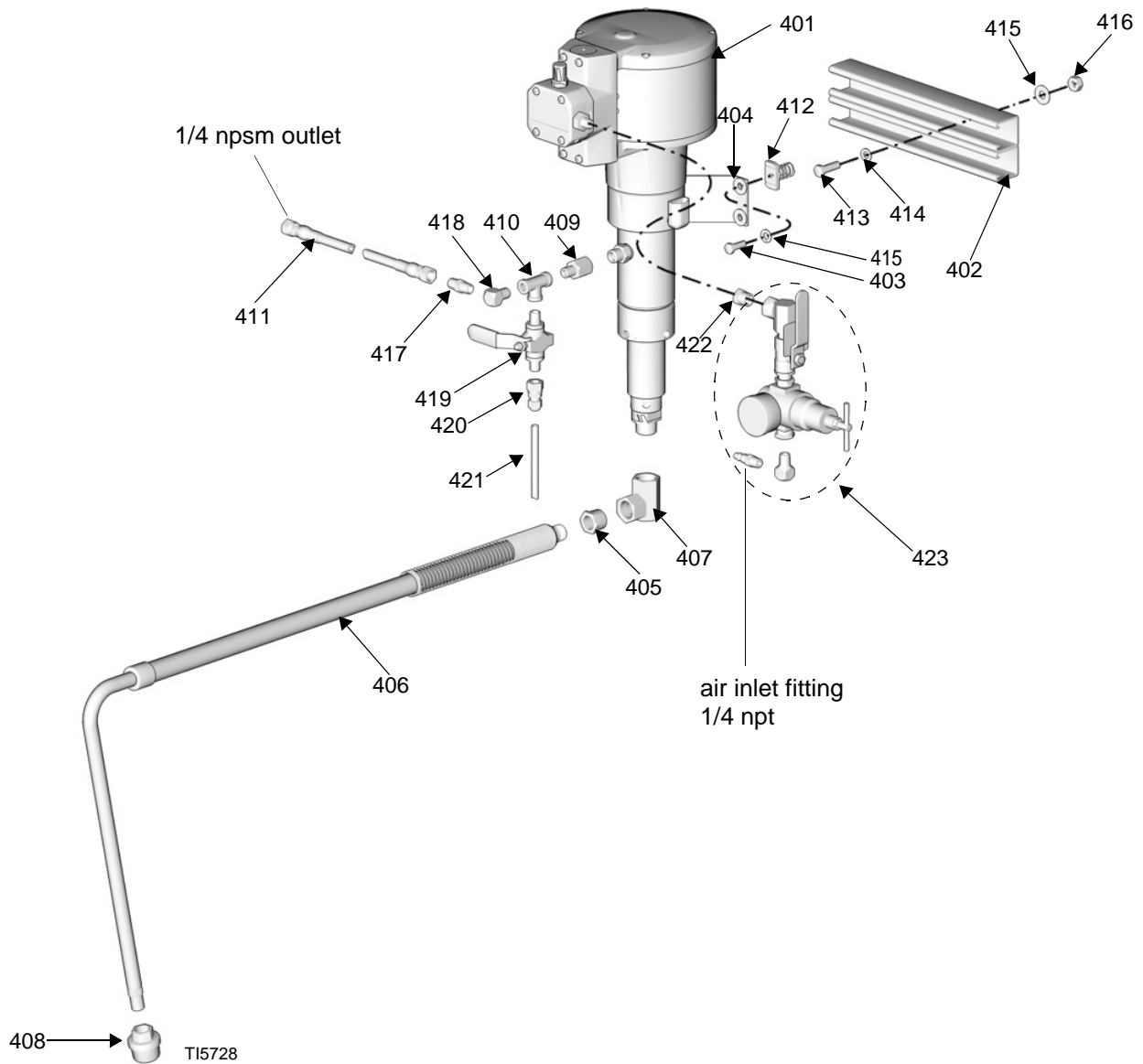
Part No. 248885, Solvent Pump, 5 Gallon Pail-Mount

Ref. No.	Part No.	Description	Qty	Ref. No.	Part No.	Description	Qty
301	240435	COVER, pail	1	319	114575	PLUG, button	1
302	223596	PUMP, Monark, 23:1 (chrome); see 307619	1	320	114371	KNOB, screw	3
303	100644	SCREW, cap, socket head	2	321	238909	WIRE, grounding assembly	1
304	100016	WASHER, lock	2	322	187190	STRAINER	1
305	155699	ELBOW, street	1	327	223756	HOSE, coupled, 15 ft (4.57 m)	1
306	114337	FITTING, nipple, cs, straight	1	328	156971	NIPPLE, short	2
307	114478	TUBE, flare, riser tube, sst	1	329	223541	HOSE, coupled, 50 ft (15.24 m)	1
308	192889	FITTING, bulkhead	1	330	200991	HOSE, coupled, 10 ft (3.05 m) not shown	1
309	114830	WASHER, flat	1	331	164259	ELBOW, street	1
310	102300	NUT	1	332	206264	VALVE, needle	1
311	157350	ADAPTER, 3/8 npt x 1/4 npt	1	333	169969	FITTING, air line	1
312	104984	TEE, pipe	1	340	238635	VALVE, ball, cs	1
313	100840	ELBOW, street	1	341	205447	COUPLING, hose	1
314	101962	SCREW, set, socket head	2	342	061132	HOSE, nylon, wpr 225, 4 ft (1.22 m)	1
315	101108	PAIL, metal, 5 gallon	1				



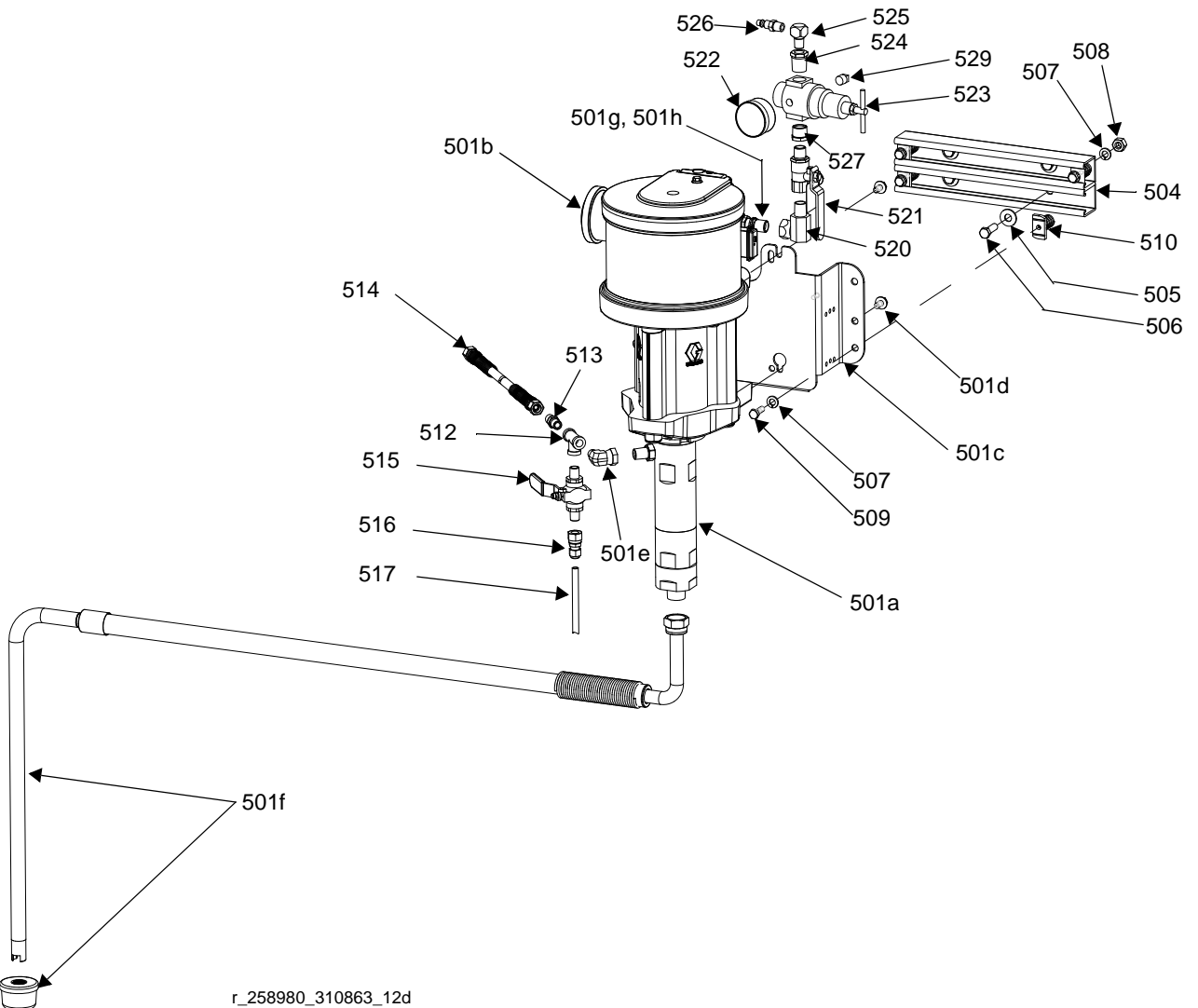
Part No. 248951, Solvent Flush Kit, Merkur

Ref. No.	Part No.	Description	Qty	Ref. No.	Part No.	Description	Qty
401	233900	SPRAYER, Merkur; see 309463	1	411	223541	HOSE, coupled, 50 ft (15.24 m)	1
402	15E737	SUPPORT, clamp, solvent pump	1	412	15E889	NUT, clamp, unistrut mount	4
403	100450	SCREW, cap, hex head	4	413	100004	SCREW, cap, hex head	4
404	100023	WASHER, flat	4	414	100132	WASHER, flat	4
405	100896	FITTING, bushing, pipe	1	415	100133	WASHER, lock	8
406	244354	HOSE, suction, (5-gallon pail)	1	416	100131	NUT, full hex	4
407	156589	FITTING, union, adapter, 90°	1	417	156971	NIPPLE, short	1
408	187651	STRAINER, 3/4-16 unf	1	418	100840	ELBOW, street	2
409	150287	COUPLING	1	419	238635	VALVE, ball, cs	1
410	104984	TEE, pipe	1	420	205447	COUPLING, hose	1
				421	061132	HOSE, nylon, wpr 225, 4 ft (1.22 m)	1
				422	100176	BUSHING, hex	1
				423	248829	AIR REGULATOR KIT, feed pump	1



Part No. 258980, Solvent Flush Kit, 45:1 Merkur

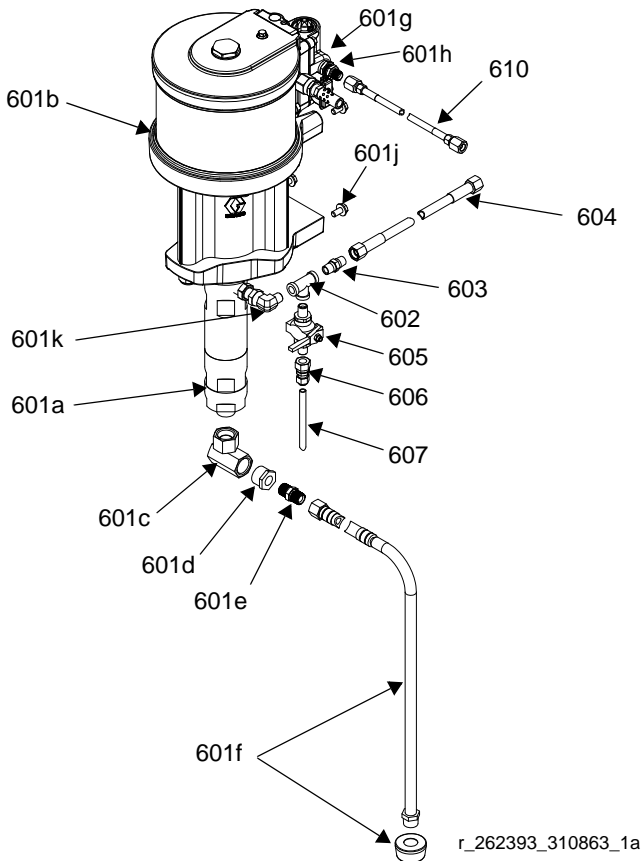
Ref. No.	Part No.	Description	Qty.	Ref. No.	Part No.	Description	Qty.
				508	100131	NUT, full hex	4
501	262287	PUMP, solvent; see manual 312794	1	509	100450	SCREW, cap, hex hd	4
501a	LW050A	LOWER, 50cc; see manual 312792	1	510	15E889	NUT, clamp, mount, unistrut	4
501b	M12LN0	MOTOR, 1200cc; see manual 312796	1	512	104984	FITTING, tee, pipe	1
501c	15T795	PLATE, wall mount	1	513	156971	FITTING, nipple, short	1
501d	111799	SCREW, cap, hex hd	4	514	H42550	HOSE, coupled, 1/4 x 50 ft (15.24 m)	1
501e	116395	FITTING, swivel, elbow	1	515	214037	VALVE, ball, cs	1
501f	256421	KIT, suction tube; includes hose and strainer	1	516	205447	COUPLING, hose	1
	255871	HOSE, siphon, assembly	1	517	061132	HOSE, nylon, wpr 225, 4 ft (1.22 m)	1
	181073	STRAINER, inlet; 1/2-14 npsm	1	520	155494	FITTING, swivel, 90°	1
501g	100081	BUSHING, pipe	2	521	113333	VALVE, ball, vented, 0.375	1
501h	166469	NIPPLE, pipe, hex	1	522	101689	GAUGE, pressure, air	1
504	15E737	SUPPORT, clamp, solvent pump	1	523	104266	REGULATOR, air	1
505	100132	WASHER, flat	4	524	100206	BUSHING, pipe	1
506	100004	SCREW, cap, hex hd	4	525	100840	FITTING, elbow, street	1
507	100133	WASHER, lock	8	526	169970	FITTING, line air	1
				529	100509	PLUG, pipe	1



r_258980_310863_12d

Part No. 262393, Solvent Flush Kit, 45:1 Merkur

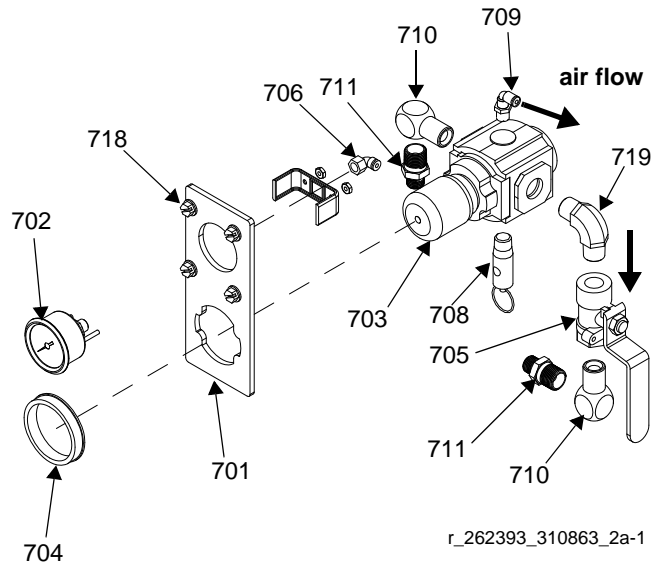
Ref. No.	Part No.	Description	Qty.
601	262392	PUMP, solvent, 6 in, 50cc; with suction hose; see manual 312794	1
601a	LW050A	LOWER, 50cc; see manual 312792	1
601b	M12FN0	MOTOR, 1200cc; see manual 312796	1
601c	156589	FITTING, union, adapter, 90°; 3/4 npt x 3/4 npsw	1
601d	100505	BUSHING, pipe, 3/4 npt(m) x 3/8 npt (f)	1
601e	156849	PIPE, nipple; 3/8-18 npt	1
601f	245082	KIT, suction, tube; includes hose and strainer	1
	244675	HOSE, siphon, assembly	1
	218798	STRAINER, inlet; 1/2-14 npsm	1
601g	100081	BUSHING, pipe	1
601h	157350	ADAPTER,	1
601j	111799	SCREW, cap, hex hd	4
601k	116395	FITTING, swivel, elbow	1
602	104984	FITTING, tee, pipe	1
603	156971	FITTING, nipple, short	1
604	H42503	HOSE, coupled, 1/4 ID; 3 ft (1 m)	1
605	214037	VALVE, ball, cs	1
606	205447	COUPLING, hose	1
607	061132	HOSE, nylon; 4 ft (1.2 m)	1
608	24F126	MODULE, air controls; see parts list	1
610	16F537	HOSE, COUPLED, 6 ft (1.8 m)	1
611	15B772	HOSE, air, 18 in. (457.2mm); not shown	1
614	194958	STRAP, tie; not shown	3



r_262393_310863_1a

Part No. 24F126, Air Control Module

Ref. No.	Part No.	Description	Qty.
701	24F125	PANEL, air controls	1
702	15T500	GAUGE, pressure, air, 1/8	1
703	15T536	REGULATOR, air, 3/8 npt	1
704	16F810	PANEL, nut, steel	1
705	114362	VALVE, ball, air	1
706	15T498	FITTING, 90°, swivel, 5/32 x 1/8 npt(f)	1
708	113498	VALVE, safety, 110 psi	1
709	15T937	FITTING, elbow, swivel 1/4 npt x 5/32	1
710	155699	FITTING, elbow, street	2
711	164672	ADAPTER	2
713	054753	TUBE, nylon, black; 3/4 ft.	1
718	108296	SCREW, hex washer, hd	4
719	109544	FITTING, elbow	1



r_262393_310863_2a-1



A series of horizontal lines for writing, consisting of 20 evenly spaced lines across the page.

Graco Standard Warranty

Graco warrants all equipment referenced in this document which is manufactured by Graco and bearing its name to be free from defects in material and workmanship on the date of sale to the original purchaser for use. With the exception of any special, extended, or limited warranty published by Graco, Graco will, for a period of twelve months from the date of sale, repair or replace any part of the equipment determined by Graco to be defective. This warranty applies only when the equipment is installed, operated and maintained in accordance with Graco's written recommendations.

This warranty does not cover, and Graco shall not be liable for general wear and tear, or any malfunction, damage or wear caused by faulty installation, misapplication, abrasion, corrosion, inadequate or improper maintenance, negligence, accident, tampering, or substitution of non-Graco component parts. Nor shall Graco be liable for malfunction, damage or wear caused by the incompatibility of Graco equipment with structures, accessories, equipment or materials not supplied by Graco, or the improper design, manufacture, installation, operation or maintenance of structures, accessories, equipment or materials not supplied by Graco.

This warranty is conditioned upon the prepaid return of the equipment claimed to be defective to an authorized Graco distributor for verification of the claimed defect. If the claimed defect is verified, Graco will repair or replace free of charge any defective parts. The equipment will be returned to the original purchaser transportation prepaid. If inspection of the equipment does not disclose any defect in material or workmanship, repairs will be made at a reasonable charge, which charges may include the costs of parts, labor, and transportation.

THIS WARRANTY IS EXCLUSIVE, AND IS IN LIEU OF ANY OTHER WARRANTIES, EXPRESS OR IMPLIED, INCLUDING BUT NOT LIMITED TO WARRANTY OF MERCHANTABILITY OR WARRANTY OF FITNESS FOR A PARTICULAR PURPOSE.

Graco's sole obligation and buyer's sole remedy for any breach of warranty shall be as set forth above. The buyer agrees that no other remedy (including, but not limited to, incidental or consequential damages for lost profits, lost sales, injury to person or property, or any other incidental or consequential loss) shall be available. Any action for breach of warranty must be brought within two (2) years of the date of sale.

GRACO MAKES NO WARRANTY, AND DISCLAIMS ALL IMPLIED WARRANTIES OF MERCHANTABILITY AND FITNESS FOR A PARTICULAR PURPOSE, IN CONNECTION WITH ACCESSORIES, EQUIPMENT, MATERIALS OR COMPONENTS SOLD BUT NOT MANUFACTURED BY GRACO. These items sold, but not manufactured by Graco (such as electric motors, switches, hose, etc.), are subject to the warranty, if any, of their manufacturer. Graco will provide purchaser with reasonable assistance in making any claim for breach of these warranties.

In no event will Graco be liable for indirect, incidental, special or consequential damages resulting from Graco supplying equipment hereunder, or the furnishing, performance, or use of any products or other goods sold hereto, whether due to a breach of contract, breach of warranty, the negligence of Graco, or otherwise.

FOR GRACO CANADA CUSTOMERS

The Parties acknowledge that they have required that the present document, as well as all documents, notices and legal proceedings entered into, given or instituted pursuant hereto or relating directly or indirectly hereto, be drawn up in English. Les parties reconnaissent avoir convenu que la rédaction du présente document sera en Anglais, ainsi que tous documents, avis et procédures judiciaires exécutés, donnés ou intentés, à la suite de ou en rapport, directement ou indirectement, avec les procédures concernées.

Graco Information

For the latest information about Graco products, visit www.graco.com.

TO PLACE AN ORDER, contact your Graco distributor or call to identify the nearest distributor.

Phone: 612-623-6921 **or Toll Free:** 1-800-328-0211, **Fax:** 612-378-3505

*All written and visual data contained in this document reflects the latest product information available at the time of publication.
Graco reserves the right to make changes at any time without notice.*

For patent information, see www.graco.com/patents.

Original instructions. This manual contains English. MM 310863

Graco Headquarters: Minneapolis

International Offices: Belgium, China, Japan, Korea

GRACO INC. AND SUBSIDIARIES • P.O. BOX 1441 • MINNEAPOLIS MN 55440-1441 • USA

Copyright 2004, Graco Inc. All Graco manufacturing locations are registered to ISO 9001.

www.graco.com

Revision N June 2018