

Tool Box Kit 287253

310659 Rev. B

Installation

All GMax Sprayers with pre-drilled holes

Fig. 1. Install as shown with screws (2), supplied.

All electric sprayers with pre-drilled holes

Fig. 1. Install as shown with screws (2), supplied.

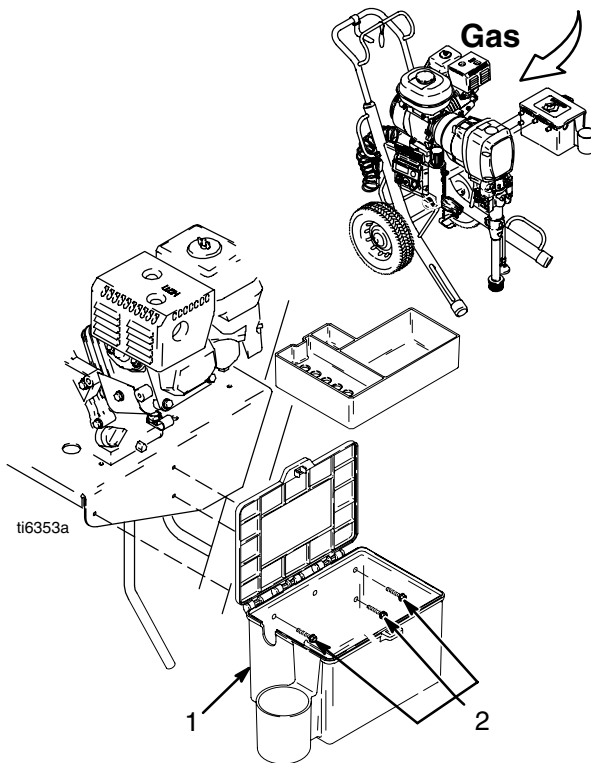


Fig. 1

All other sprayers without pre-drilled holes

1. Use tool box as template and mark three hole positions for tool box mounting.
2. Drill three 11/64 in. (4.37 mm) diameter holes.
3. Fig. 2. Install as shown with screws (2), supplied.

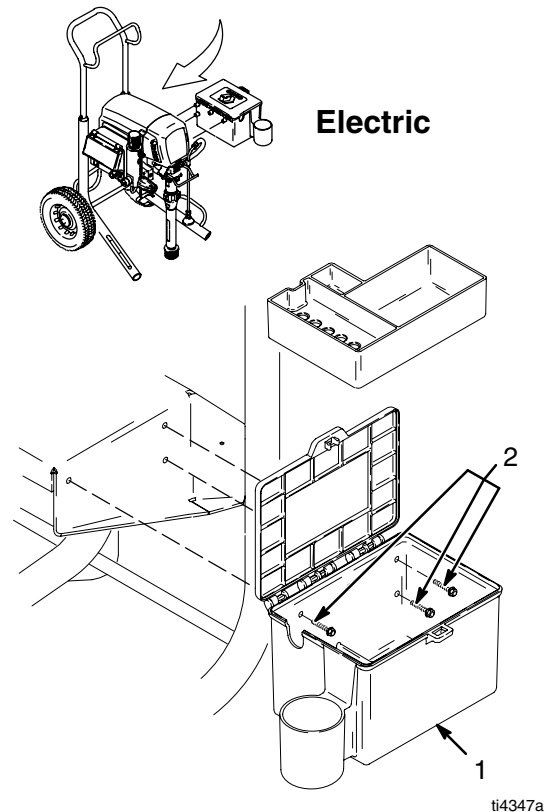


Fig. 2

PROVEN QUALITY. LEADING TECHNOLOGY.

*All written and visual data contained in this document reflects the latest product information available at the time of publication.
Graco reserves the right to make changes at any time without notice.*

MM 310659

Graco Headquarters: Minneapolis
International Offices: Belgium, China, Japan, Korea,
GRACO INC. P.O. BOX 1441 MINNEAPOLIS, MN 55440-1441
www.graco.com
PRINTED IN U.S.A. 310659
1/2004 Rev. 4/2005