

## Paint Gun Stencil Kit for Line Striping System

3A1309B

EN

### Model 24G778, Series A




3300 psi (22.7 MPa, 227 bar) Maximum Working Pressure



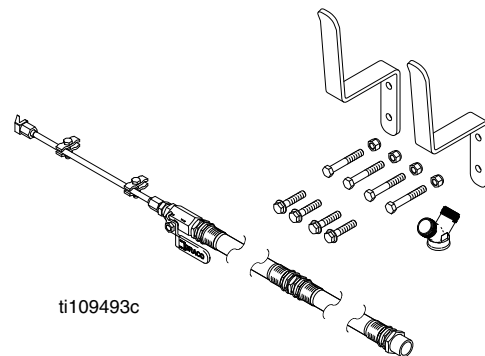
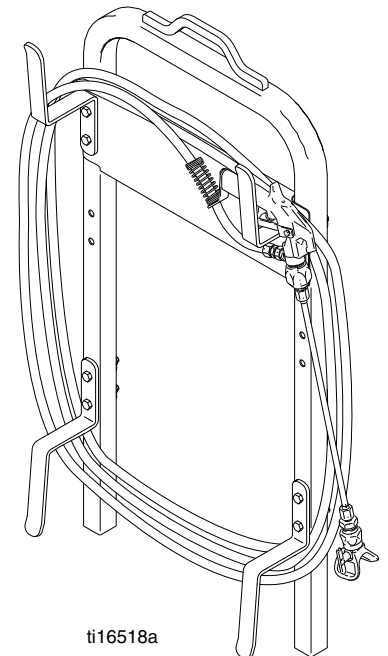
#### Important Safety Instructions

For complete warnings and safety instructions see RoadLazer™ RoadPak™ Line Striper System manual. Save these instructions.

### Pressure Relief Procedure

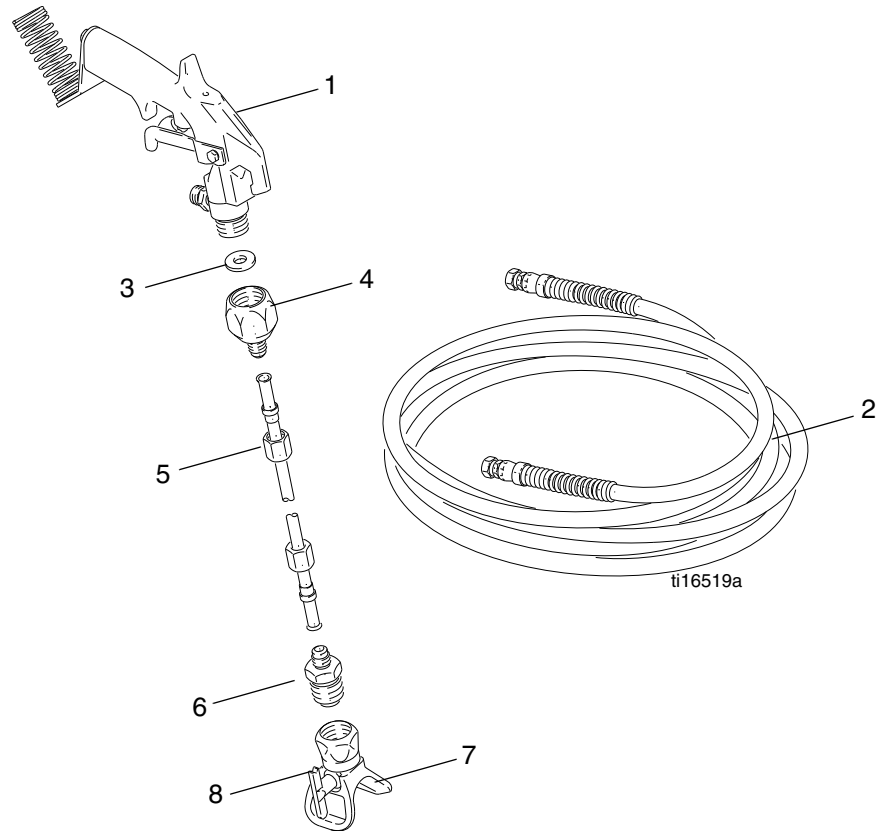
			
<p>The system pressure must be manually relieved to prevent the system from starting or spraying accidentally. Fluid under high pressure can be injected through the skin and cause serious injury. To reduce the risk of an injury from injection, splashing fluid, or moving parts, follow the <b>Pressure Relief Procedure</b> in manual 3A1214 whenever you:</p> <ul style="list-style-type: none"><li>• are instructed to relieve the pressure</li><li>• stop spraying</li><li>• check or service any of the system equipment</li><li>• install or clean the spray tip</li></ul>			

Works in conjunction with hand bead gun kit  
P/N 238957



# RoadPak Gun Stencil Kit Installation

1. Perform **Pressure Relief Procedure** before installing (see manual 3A1214).



## Parts List

Ref.	Part	Description	Qty.
1	248157	FLEX GUN	1
2	249080	HOSE, coupled 1/4 x 50 ft	1
3	166969	GASKET	1
4	180137	NUT, gun	1
5	223718	TUBE, extension, 15.83 in.	1
6	180136	ADAPTER, tip	1
7	243161	GUARD, RAC 5	1
8	286425	SWITCH TIP, size 425	1
11	101566	NUT, lock	8
12	108851	WASHER, plain	8
13	16G776	BRACKET, hose wrap	4
14	516595	BOLT, hex, 3/4 in.	8
15	196177	NIPPLE, reducer	1
16	124490	FITTING, tee	1

*All written and visual data contained in this document reflects the latest product information available at the time of publication. Graco reserves the right to make changes at any time without notice.*

For patent information, see [www.graco.com/patents](http://www.graco.com/patents).

Original instructions. This manual contains English. MM 3A1309

**Graco Headquarters:** Minneapolis  
**International Offices:** Belgium, China, Japan, Korea  
**GRACO INC. P.O. BOX 1441 MINNEAPOLIS, MN 55440-1441**  
**Copyright 2010, Graco Inc. is registered to ISO 9001**  
[www.graco.com](http://www.graco.com)  
 Revised February 2013