



# Graco® Supply Systems

Sealant and Adhesive Supply Systems



PROVEN QUALITY. LEADING TECHNOLOGY.

# Graco Supply Systems improve your productivity

## Discover the next generation of bulk supply systems

Graco Supply Systems reliably deliver one-component sealants, adhesives and other medium to high-viscosity materials from pails or drums to metering and dispensing systems. Designed with innovative features plus advanced pump and air motor technologies, Graco Supply Systems help maximize your plant's production capacity.

### Easy to Service

- Smart design and simple features reduce time spent on maintenance

### NXT Air Motor

- The next generation of Graco air motors
- Long-lasting and durable
- Modular air valve eliminates stalling

### Check-Mate® or Dura-Flo™ Pump

- Cartridge design makes packings easy to replace

### Integrated Drum Air Blow-Off

- Reduces downtime with quick, easy drum changes

### Tandem Control

- Improve productivity by operating two supply systems in tandem



### DataTrak™ Control

- Tracks material usage and flow
- Provides pump runaway protection

### Integrated Air Controls

- Conveniently located — easy to see, easy to use

### Platen Design

- Minimizes leftover material and reduces waste
- Long-lasting, one-piece platen seals are easy to replace



Graco D60 Supply System

# Designed to Reduce Your Cost of Ownership



## Features that reduce your cost of ownership:

- Optional MaxLife® coatings and seals triple the life of the standard offering
- Durable NXT Air Motor lasts ten times longer than its predecessor
- Common and shared parts throughout rams and air motors provide low carrying costs, even when multiple configurations are used within a plant
- Electric tandem systems significantly reduce downtime with advanced monitoring and control systems

## Features that make Graco Supply Systems easy to use:

- Quick placement of drum or pail
- Integrated air controls offer easy-to-see, easy-to-use controls
- Intuitive user interface
- Platen wipers can be replaced in seconds
- Pump's quick-disconnect coupler, turnbuckle mount and pump cartridge packings let you service the pump without removing it from the ram
- Optional sensors and light tower let operator know when it's time to change the drum
- Optional electric tandem filter monitoring and electric depressurization allow complete control over the tandem system

## Minimize maintenance and streamline operations

Because Graco Supply Systems are engineered and built with high-quality parts, you reduce maintenance time, maximize uptime, and benefit from longer equipment life.

### — A complete line of Graco Supply Systems —



#### L20c

Lightweight, elevator ram on a cart. For low-volume applications of low-viscosity materials that do not require extra pressure. Air controls raise pump up, gravity forces platen down. Easy-to-move cart for added mobility. Ideal for construction sites.



#### S20

For low-volume in-plant applications of medium to high-viscosity materials. May be used as a feed package in more complex systems.



#### S20c

Offers the same features and benefits as the S20, but includes a cart for added mobility.



#### D60

For medium to high-viscosity materials. Provides higher down-force and larger pail capacity than the S20.



#### D200

For high-volume in-plant applications of medium to high-viscosity materials.



#### D200s

For heavy-duty, high-volume applications of high-viscosity materials. Larger 6.5-in ram posts provide more down-force for difficult-to-move materials.

# A Full Line of Supply Systems



## Technical Specifications

Models	L20c	S20	S20c
<b>Platens</b>	<p>20 l (5 gal)</p> <p>Wiper Seals Polyurethane, PTFE, Nitrile</p>	<p>20 l (5 gal)</p> <p>Wiper Seals Polyurethane, PTFE, Nitrile</p>	<p>20 l (5 gal)</p> <p>Wiper Seals Polyurethane, PTFE, Nitrile</p>
<b>Check-Mate Pumps</b>	<p>C5 C11 C20 C38 C61</p>	<p>C5 C11 C20 C38 C40 C61 C63</p>	<p>C5 C11 C20 C38 C40 C61 C63</p>
<b>Dura-Flo Pumps</b>	Not Available	Not Available	Not Available
<b>DataTrak Control</b>	Not Available	Available	Not Available
<b>Tandem Display</b>	Not Available	Pneumatic	Not Available
<b>Operation Manual</b>	313526	313526	313526
<b>Op. Man. Tandem</b>	Not Available	313528	Not Available
<b>Repair Manual</b>	313527	313527	313527
<b>Rep. Man. Tandem</b>	Not Available	313529	Not Available

## Technical Specifications



\* i = interlock option

Models	D60 and D60i*			D200 and D200i*					D200s and D200si	
Platens	20 l (5 gal)	30 l (7 gal)	60 l (16 gal)	20 l (5 gal)	30 l (7 gal)	60 l (16 gal)	30 gal	200 l (55 gal)	30 gal	200 l (55 gal)
	Wiper Seals Polyurethane, PTFE, Nitrile	Wiper Seals Polyurethane, PTFE, Nitrile	Wiper Seals Polyurethane, PTFE, Nitrile	Wiper Seals Polyurethane, PTFE, Nitrile	Wiper Seals Polyurethane, PTFE, Nitrile	Wiper Seals Polyurethane, PTFE, Nitrile	Wiper Seals EPDM	Wiper Seals EPDM, PTFE, Neoprene	Wiper Seals EPDM	Wiper Seals EPDM, PTFE, Neoprene
Check-Mate Pumps	C23 C29 C36 C40 C55 C63 C68	C23 C29 C36 C40 C55 C63 C68	C23 C29 C36 C40 C55 C63 C68	C23 C29 C36 C40 C55 C63 C68	C23 C29 C36 C40 C55 C63 C68	C5 C11 C20 C23 C29 C36 C38 C40 C55 C61 C63 C68	C5 C11 C20 C23 C29 C36 C38 C40 C55 C61 C63 C68	C5 C11 C14 C20 C23 C26 C29 C36 C38 C40 C55 C61 C63 C68	C23 C29 C36 C40 C55 C63 C68	C23 C14 C29 C26 C36 C39 C40 C55 C63 C68 C82
	D57	D57		D57			D46	D23 D46 D57		D34 D44 D67
Dura-Flo Pumps	← Configurable with D60 Only →							← Configurable with D200 Only →		
DataTrak Control	Available			Available					Available	
Tandem Display	Available Electric and Pneumatic			Available Electric and Pneumatic					Available Electric and Pneumatic	
Operation Manual	313526			313526					313526	
Op. Man. Tandem	313528			313528					313528	
Repair Manual	313527			313527					313527	
Rep. Man. Tandem	313529			313529					313529	

# Advanced Controls – The Rules Have Changed

## Advanced, intuitive controls

The electronic controls on Graco Supply Systems help you monitor and control critical factors through an easy-to-use interface.



### Tandem Display Module. Improved efficiency and control.

The Tandem Display Module allows you to configure your supply systems to operate in tandem for better productivity and improved uptime.

- Automatic electric crossover eliminates downtime – you get double the material volume before you need to change drums or pails
- Easy user interface puts the operator in total control
- Only one Tandem Display Module needed for two systems

### DataTrak Control. More control than ever.

Graco Supply Systems are available with DataTrak, an “intelligent” integrated electronic monitoring system. DataTrak puts you in control by:

- **Tracking and displaying material usage** and volumetric flow, telling you how much material is left in the drum
- **Providing pump diagnostics**, indicating when it’s time for routine maintenance
- **Providing pump runaway protection** by monitoring pump speed and automatically shutting off the pump





### Fluid Control Module

Graco's user display and fluid control module allow you to monitor and control critical process variables including:

- Electronic control of depressurization and recirculation
- Optional filter pressure tracking and monitoring to warn of potential rips or plugs

### Integrated Air Controls

- Modular design
- One convenient, easy-to-use location
- One-touch blow-off provides easy drum replacement
- Optional two-button interlock

# Platen and Wiper Options

## A modular approach gives you added flexibility

Graco platens are designed with a modular approach. You can easily interchange platen components if you need to switch pail sizes or materials. Choose flat or dual flat wipers for 20, 30 or 60-liter pail sizes or o-ring wiper style for 200-liter drums.



Platen with flat single wiper



Platen with flat dual wiper

## Platen ordering information

To order genuine Graco parts, call your local Graco distributor or call Graco at 877-844-7226.

### Assembled Platens (single wiper)

257727	20 l (5-gal) Nitrile
257728	20 l (5-gal) Polyurethane
257729	20 l (5-gal) PTFE
257732	30 l (7-gal) Nitrile
257733	30 l (7-gal) Polyurethane
257734	30 l (7-gal) PTFE
257737	60 l (16-gal) Nitrile
257740	60 l (16-gal) Polyurethane
257738	60 l (16-gal) PTFE

### Assembled Platens (dual wiper)

257730	20 l (5-gal) Nitrile
257731	20 l (5-gal) Polyurethane
257735	30 l (7-gal) Nitrile
257736	30 l (7-gal) Polyurethane
257739	60 l (16-gal) Nitrile
257741	60 l (16-gal) Polyurethane
255421	30-gal EPDM
255664	200 l (55-gal) Neoprene
255663	200 l (55-gal) EPDM
255662	200 l (55-gal) EPDM with PTFE-coated platen

### Replacement Kits (single wiper)

257639	20 l (5-gal) Nitrile
257640	20 l (5-gal) Polyurethane
257641	20 l (5-gal) PTFE
257644	30 l (7-gal) Nitrile
257645	30 l (7-gal) Polyurethane
257646	30 l (7-gal) PTFE
257649	60 l (16-gal) Nitrile
257650	60 l (16-gal) Polyurethane
257651	60 l (16-gal) PTFE

### Replacement Kits (dual wiper)

257642	20 l (5-gal) Nitrile
257643	20 l (5-gal) Polyurethane
257647	30 l (7-gal) Nitrile
257648	30 l (7-gal) Polyurethane
257652	60 l (16-gal) Nitrile
257653	60 l (16-gal) Polyurethane
255654	30-gal EPDM
255652	200 l (55-gal) Neoprene
255653	200 l (55-gal) EPDM
255653	200 l (55-gal) EPDM with PTFE-coated platen

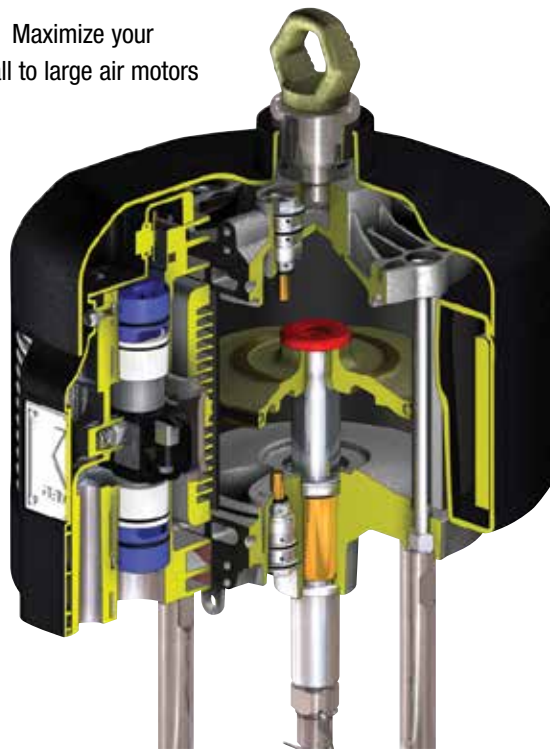


# Powered by Graco Technology

## NXT® Air Motor

The NXT Air Motor sets a higher standard for long-lasting durability. Maximize your process efficiencies when you choose between our offerings of small to large air motors designed to fit your production needs.

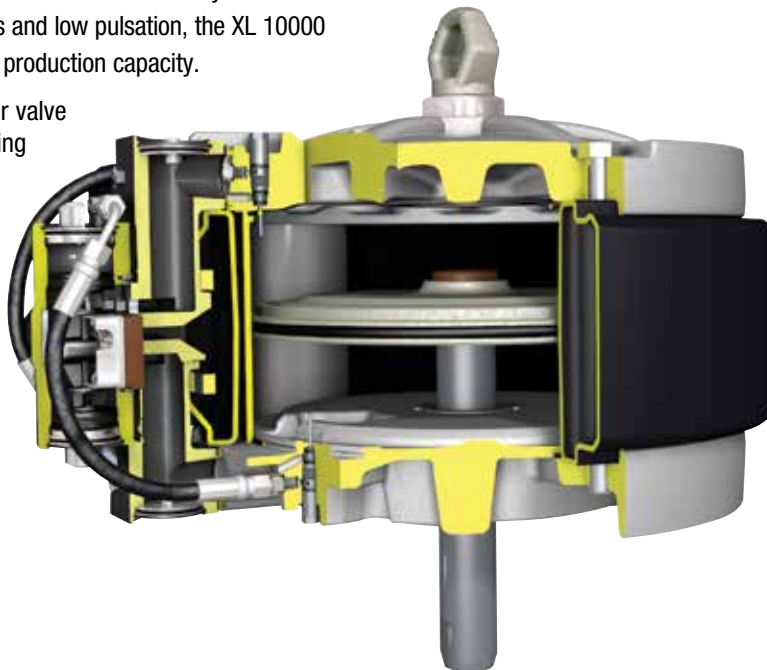
- Ten times more durable than its predecessor, the Graco King®
- Reduce downtime with easy-to-service external valve
- Reduce energy costs with low air consumption
- Support environmental initiatives with patented exhaust manifold, which reduces noise up to 50% over previous models



## XL 10000™ Air Motor

The XL 10000 is designed for high-production facilities where durability is a must. With a 13-inch diameter motor, sharp changeovers and low pulsation, the XL 10000 is ideal for jobs that require high power to maximize production capacity.

- Reduce downtime with exposed poppets and air valve which allows for easy service and troubleshooting
- Reduce your cost of ownership with fewer components and a simple design



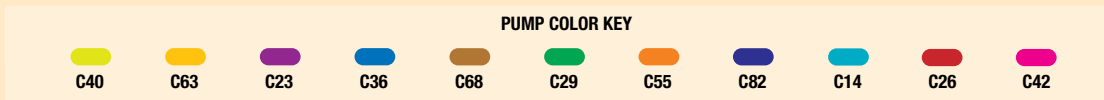
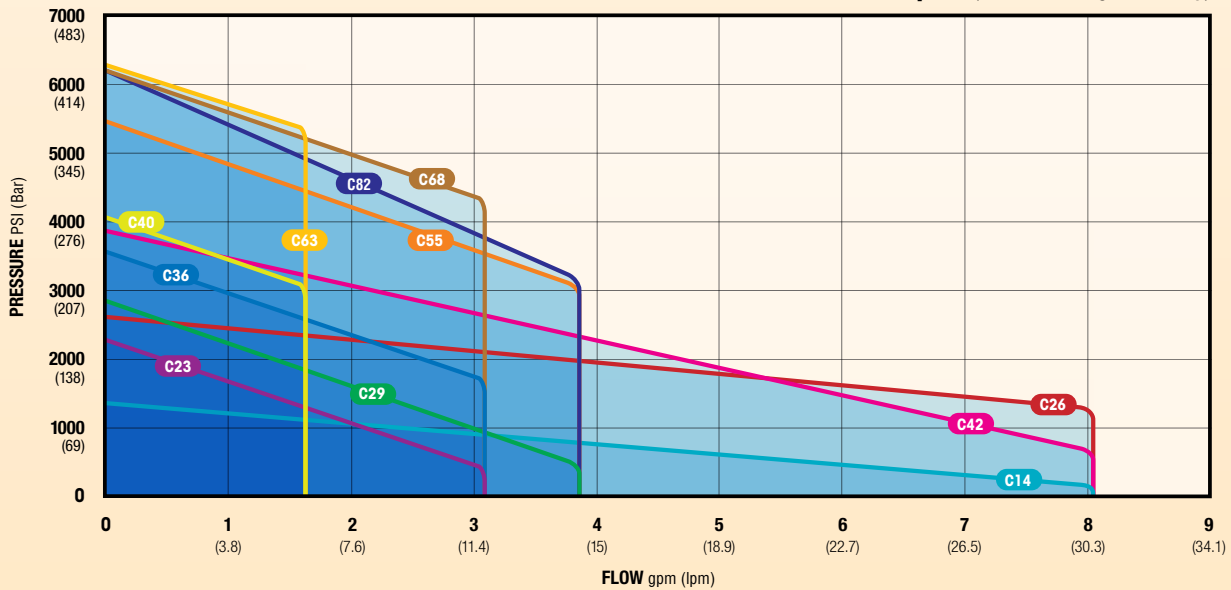
# Selecting the Right Graco Supply System

## How to choose the right pump for your material

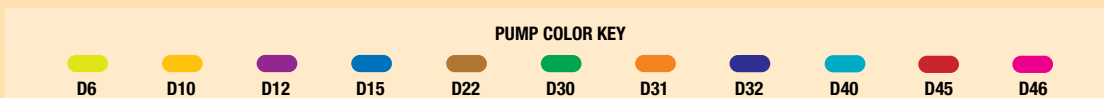
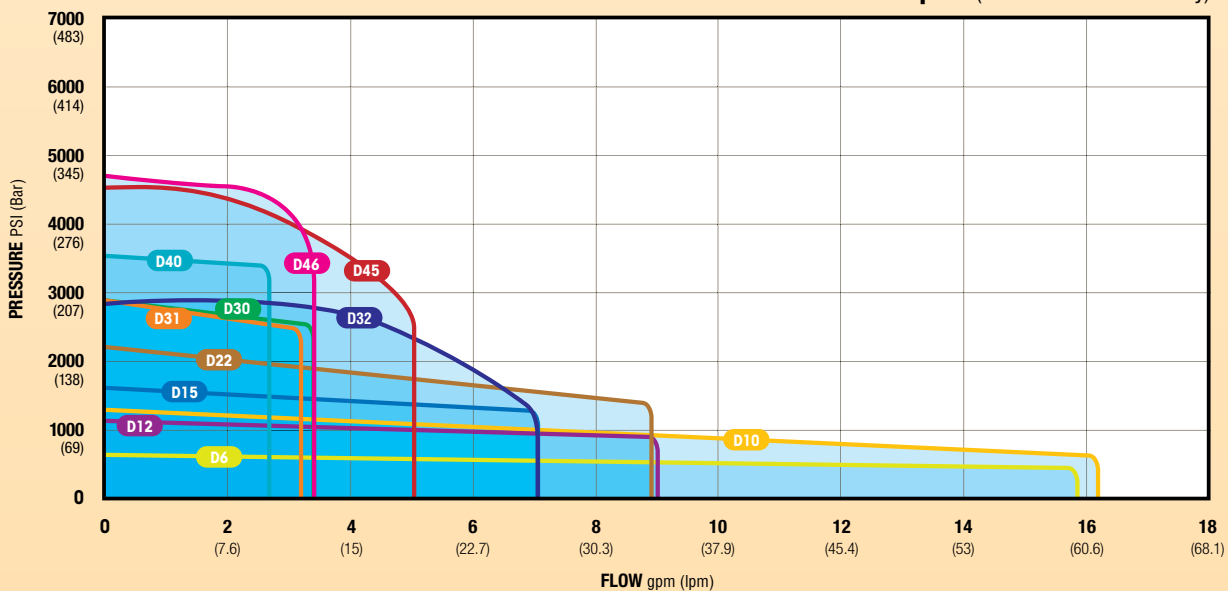
Use these charts to select the pump that's right for your material

- 1) Select your required outlet pressure
- 2) Select your flow rate
- 3) Choose a Graco Supply System based on where these points intersect

### CheckMate Pumps – (Medium to High-Viscosity)



### Dura-Flo Pumps – (Low to Medium-Viscosity)



# Reliable. Easy to Use. Easy to Service.

## Check-Mate Pump – for medium to high-viscosity materials

### *Xtreme Coupler*

Quick-disconnect coupler for easy maintenance

### *Replaceable Outlet Fitting*

Reduces repair costs

### *Piston Valve with Floating Piston Seal*

For maximum pressure balance over a range of material viscosities

### *Replaceable Seat*

Minimizes service costs

### *Floating Priming Plate*

Provides uniform flow

### *Optional Enclosed Wet Cup*

- Prevents seal contamination and allows recirculation
- Reduces maintenance and extends seal life

### *Cartridge Throat Packings*

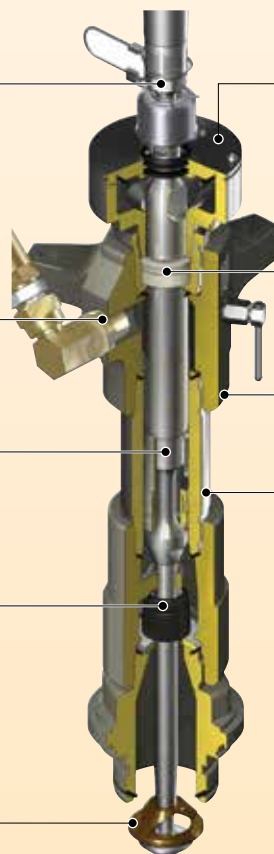
Allows for easy servicing without removing from ram

### *Cast Outlet and Inlet Housing*

Improves structural integrity

### *Hard Part Coatings*

- Standard Severe Duty coating on rods and cylinder maximizes wear life
- NEW optional MaxLife coating triples pump life over standard offering



## Dura-Flo Pump – for low to medium-viscosity materials

### *Quick-Disconnect Coupler*

Reduces maintenance time

### *Manually Adjustable Wet Cup*

Extends packing life by tightening packing nut

### *Cartridge Packings*

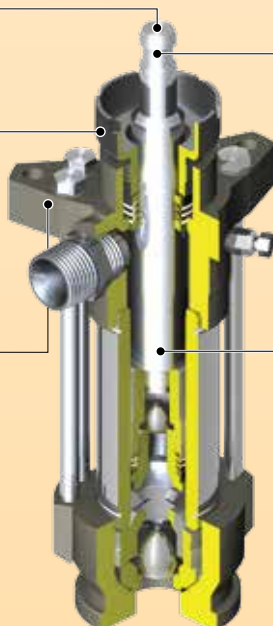
Easily removable cartridge holds packings and allows for quick repairs

### *Stainless Steel Chrome Rod*

Process provides over three times the life of chrome SST rods

### *High-Volume Piston*

Improves flow for higher viscosity coatings

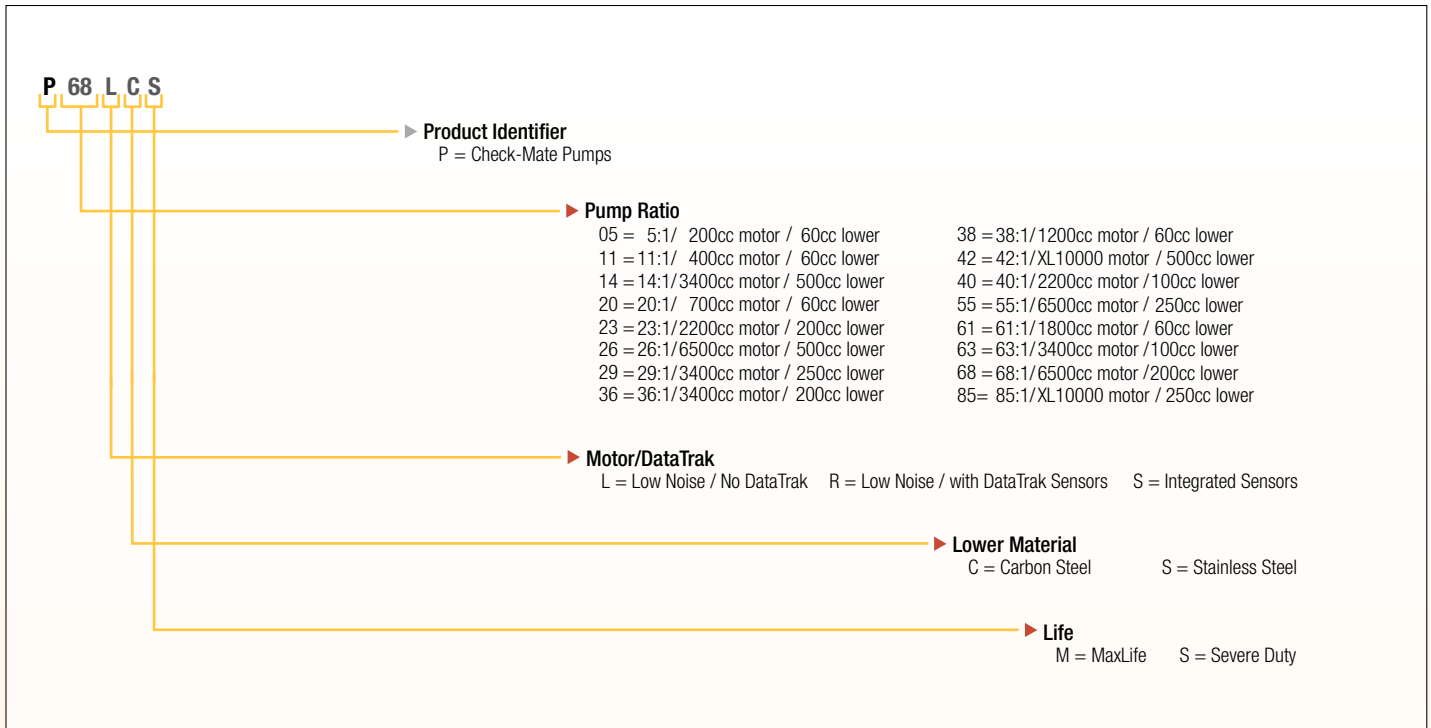


# Pump Configurators and Specifications

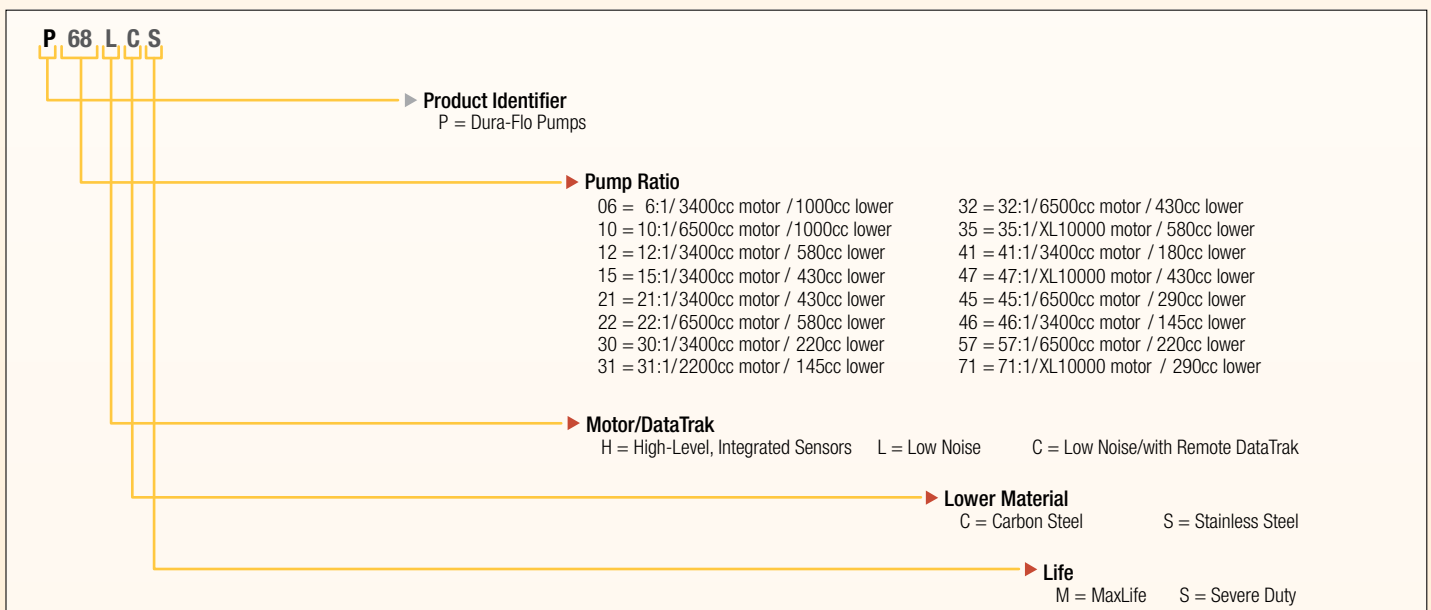
## Use Graco's numbering system

Graco's numbering system helps you simplify the ordering process. Just follow the diagrams below to select the parts you want. You'll have your order built easily and accurately in no time.

## Check-Mate Pumps



## Dura-Flo Pumps

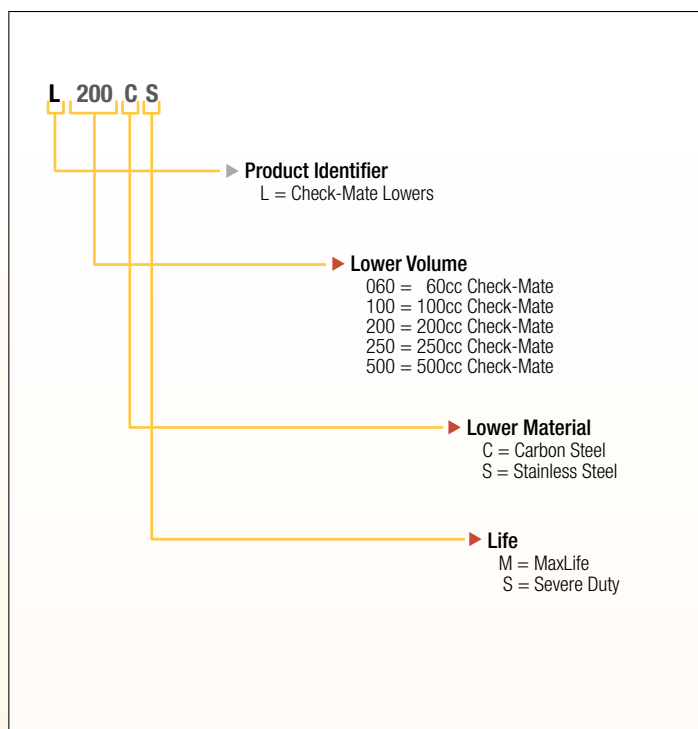


## Check-Mate and Dura-Flo Pumps

All Check-Mate and Dura-Flo pumps have Ultra-High Molecular Weight Polyethylene (UHMWPE) and PTFE or leather packings. For urethanes and some silicones, an optional all-PTFE packing kit is available.

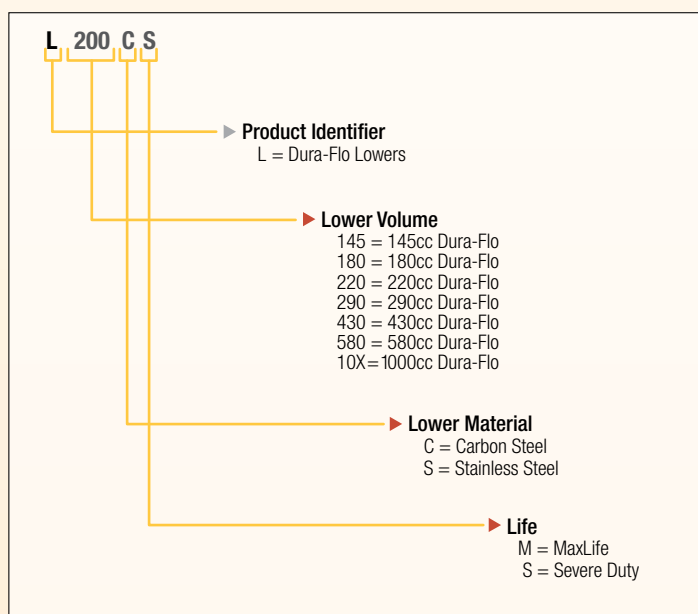
Pump	GPM @ 60 cpm	Pump Ratio	Air Motor	PSI	CS	SST
C5	1.0	5:1 60cc	NXT200	500	Yes	Yes
C11	1.0	11:1 60cc	NXT400	1100	Yes	Yes
C20	1.0	20:1 60cc	NXT700	2000	Yes	Yes
C38	1.0	38:1 60cc	NXT1200	3800	Yes	Yes
C61	1.0	61:1 60cc	NXT1800	6100	Yes	Yes
C40	1.7	40:1 100cc	NXT2200	4000	Yes	No
C63	1.7	63:1 100cc	NXT3400	6300	Yes	No
C23	3.0	23:1 200cc	NXT2200	2300	Yes	Yes
C36	3.0	36:1 200cc	NXT3400	3600	Yes	Yes
C68	3.0	68:1 200cc	NXT6500	6200	Yes	Yes
C29	3.8	29:1 250cc	NXT3400	2900	Yes	Yes
C55	3.8	55:1 250cc	NXT6500	5500	Yes	Yes
C85	3.8	85:1 250cc	XL10000	6200	Yes	Yes
C14	8.0	14:1 500cc	NXT3400	1400	Yes	Yes
C26	8.0	26:1 500cc	NXT6500	2600	Yes	Yes
C42	8.0	42:1 500cc	XL10000	3900	Yes	Yes

## Check-Mate Loweres

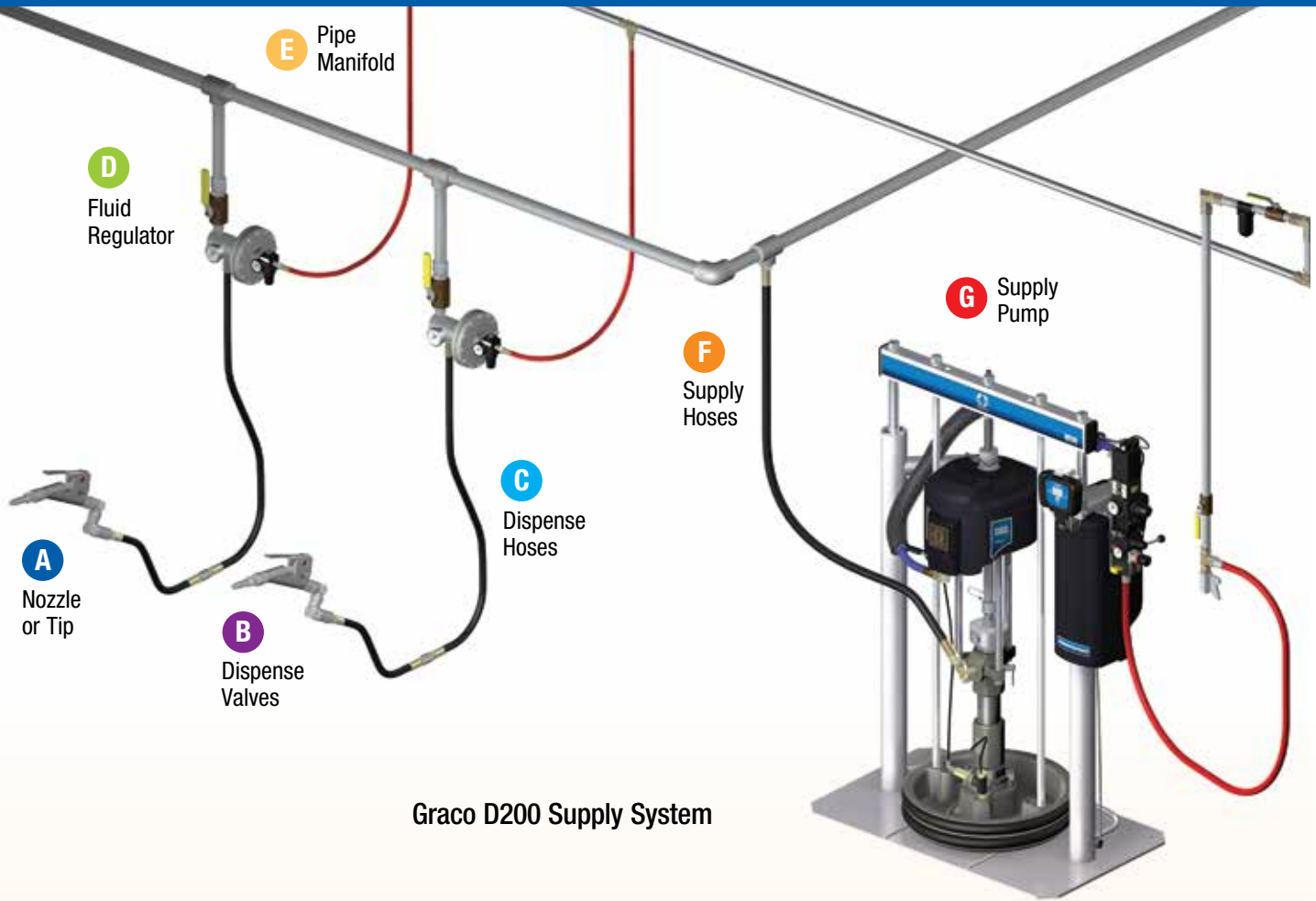


Pump	GPM @ 60 cpm	Pump Ratio	Air Motor	PSI	CS	SST
D31	2.3	31:1 145cc	NXT2200	3100	Yes	No
D46	2.3	46:1 145cc	NXT3400	4600	Yes	No
D21	3.4	21:1 220cc	NXT2200	2100	Yes	Yes
D30	3.4	30:1 220cc	NXT3400	3000	Yes	Yes
D57	3.4	57:1 220cc	NXT6500	5700	Yes	Yes
D71	4.8	71:1 290cc	XL10000	6700	Yes	Yes
D15	6.9	15:1 430cc	NXT3400	1500	Yes	Yes
D32	6.9	32:1 430cc	NXT6500	3200	Yes	Yes
D47	6.9	47:1 430cc	XL10000	4400	Yes	Yes
D12	9.2	12:1 580cc	NXT3400	1200	Yes	Yes
D22	9.2	22:1 580cc	NXT6500	2200	Yes	Yes
D35	9.2	35:1 580cc	XL10000	3400	Yes	Yes
D10	15.8	10:1 1000cc	NXT6500	1000	Yes	Yes

## Dura-Flo Loweres



# Components of the Graco Supply System



Graco D200 Supply System

## Other factors to consider when choosing a supply system

	A	B	C	D	E	F	G
<b>Major Components:</b>	Nozzle or Tip	Dispense Valves	Dispense Hoses	Fluid Regulators	Pipe Manifold	Supply Hoses	Supply Pumps
<b>Selection Factors:</b>	<ul style="list-style-type: none"> <li>• Size, shape and type of fluid flow pattern</li> </ul>	<ul style="list-style-type: none"> <li>• Usage                             <ul style="list-style-type: none"> <li>- Manual</li> <li>- Automatic</li> <li>- Robotic</li> <li>- Shot</li> </ul> </li> <li>• Pressure</li> <li>• Volume</li> </ul>	<ul style="list-style-type: none"> <li>• Viscosity</li> <li>• Volume</li> <li>• Length</li> <li>• Pressure</li> <li>• Flexibility</li> <li>• Chemical compatibility</li> </ul>	<ul style="list-style-type: none"> <li>• Viscosity</li> <li>• Pressure</li> <li>• Volume</li> <li>• Chemical compatibility</li> </ul>	<ul style="list-style-type: none"> <li>• Volume</li> <li>• Pressure</li> <li>• Location</li> <li>• Drops</li> <li>• Chemical compatibility</li> </ul>	<ul style="list-style-type: none"> <li>• Viscosity</li> <li>• Volume</li> <li>• Length</li> <li>• Pressure</li> <li>• Chemical compatibility</li> </ul>	<ul style="list-style-type: none"> <li>• Container size</li> <li>• Volume</li> <li>• Viscosity</li> <li>• Pump location</li> <li>• Chemical compatibility</li> </ul>
<b>Equipment Options:</b>	<ul style="list-style-type: none"> <li>• Nozzles</li> <li>• Tips</li> <li>• Extensions</li> <li>• Brushes</li> </ul>	<ul style="list-style-type: none"> <li>• Mechanical gun</li> <li>• Pneumatic gun</li> <li>• Nozzle                             <ul style="list-style-type: none"> <li>- Extrusion</li> <li>- Spray</li> <li>- Length</li> <li>- Orifice</li> </ul> </li> </ul>	<ul style="list-style-type: none"> <li>• Steel, SST</li> <li>• Pipe JIC</li> <li>• Flexible hoses                             <ul style="list-style-type: none"> <li>- PTFE</li> <li>- Buna</li> <li>- Nylon</li> <li>- Moisture-Lok</li> </ul> </li> </ul>	<ul style="list-style-type: none"> <li>• Mastic regulator</li> <li>• Pressure compensating valve</li> </ul>	<ul style="list-style-type: none"> <li>• Steel</li> <li>• SST</li> <li>• Pipe</li> <li>• Tubing</li> <li>• Sizes</li> </ul>	<ul style="list-style-type: none"> <li>• Steel, SST</li> <li>• Pipe, JIC</li> <li>• Flexible hoses                             <ul style="list-style-type: none"> <li>- PTFE</li> <li>- Buna</li> <li>- Nylon</li> <li>- Moisture-Lok</li> </ul> </li> </ul>	<ul style="list-style-type: none"> <li>• Priming piston</li> <li>• Double ball</li> <li>• Ram mount</li> <li>• Single or dual wipers</li> <li>• Drum empty options</li> <li>• Auto crossover</li> </ul>

# Ordering Information

## Accessories



### Common Accessories

C59518	Pump Outlet Check Valve Kit (includes elbow, check valve, and union)
222780	Floor Stand
C59547	High Pressure Filter (includes 6000 psi, 30 mesh filter and two pressure gauges)
C07063	Ball Valve - 3/4-in npt, 4500 psi
C07048	Ball Valve - 1/2-in npt, 5800 psi
223689	Plastic Shield - 20L (10-pack)
222792	Plastic Shield - 200L (10-pack)
24Y400	XL10000 Motor Kit

### Outlet Check Kits

257377	Used on stainless steel Check-Mate 60 and 100 Displacement Pumps
255452	Used on carbon steel Check-Mate 100 Displacement Pumps
255453	Used on carbon steel Check-Mate 200 and 250 Displacement Pumps
255454	Used on stainless steel Check-Mate 200 and 250 Displacement Pumps
255455	Used on carbon steel Check-Mate 500 Displacement Pumps
255456	Used on stainless steel Check-Mate 500 Displacement Pumps

### D200 Series Accessories

255477	Drum Stop Kit
255627	Drum Roller Kit
C32463	Saddle Clamps (D200s only)
918395	Heavy-Duty Drum Clamp Kit (D200s only)
918397	Clamshell Drum Holder Kit (D200s only)
255469	Low/Empty Sensor Kit
255675	Pneumatic Crossover Kit - 3-in ram
255676	Pneumatic Crossover Kit - 6.5-in ram
255691	55 gal Platen Cover
255703	Enclosed Wet Cup Recirculation Kit
255650	Air Controls
206537	Heavy-duty Clamp Kit (D200)
222792	55-gallon Plate Shield (Package of 10)
223689	5-gallon Plate Shield (Package of 10)

### DataTrak and Electric Tandem Accessories

255704	Remote DataTrak VAC Kit - D200 and D60
255705	Remote DataTrak VAC Kit - D200s
255757	Remote DataTrak VDC Kit - D200 and D60
255758	Remote DataTrak VDC Kit - D200s
255689	Low/empty Sensor Kit - D200s
255706	Tandem A-side VAC Kit - D200 and D60
255708	Tandem B-side Kit - D200 and D60
255759	Tandem A-side VDC Kit - D200 and D60
255760	Tandem A-side VDC Kit - D200s
255707	Tandem A-side VAC Kit - D200s
255709	Tandem B-side Kit - D200s
255675	Pneumatic Crossover Kit - D200
255676	Pneumatic Crossover Kit - D200s
257632	Pneumatic Crossover Kit - D60
257633	Pneumatic Crossover Kit - S20
255469	Low/empty Sensor Kit - D200 and D60
257634	Low/empty Sensor Kit - S20
255468	Tandem Light Tower Kit
255467	DataTrak Light Tower Kit
255457	Tandem Depressurization Kit
255458	Tandem Depressurization Kit - Stainless
255415	Remote DataTrak Module
255336	Tandem Display Module
257915	Fluid Control Module - Tandem Ram
121226	CAN cable (0.4 m)
121227	CAN cable (0.6 m)
121228	CAN cable (15 m)
225720	D200s - 2-button Interlock Kit
255719	D200 - 2-button Interlock Kit
257615	D60 - 2-button Interlock Kit

## Check-Mate and Dura-Flo Lowers



### Check-Mate Lowers

Part #	Lower Material	Coating	Available Seal Kits						Enclosed Wet Cup Kit
			Enclosed Wet Cup	Throat	Piston	Intake	Complete	PTFE Complete	
L060CS	Carbon Steel	Severe Duty	None	255523	255533	255539	255507	255507	255696
L060CM	Carbon Steel	MaxLife	255618	255524	255533	255540	255508	255692	255696
L060SS	Stainless Steel	Severe Duty	None	255523	255533	256865	256866	None	255559
L060SM	Stainless Steel	MaxLife	255618	257558	255533	256868	256867	None	255559
L100SS	Stainless Steel	Severe Duty	None	255523	255533	256865	256866	None	255559
L100SM	Stainless Steel	MaxLife	255618	257558	255533	256868	256867	None	255559
L100CS	Carbon Steel	Severe Duty	None	255523	255533	255539	255507	255692	255696
L100CM	Carbon Steel	MaxLife	255618	255524	255533	255540	255508	255692	255696
L200SS	Stainless Steel	Severe Duty	None	255526	255535	255542	255511	255693	255700
L200SM	Stainless Steel	MaxLife	255619	255527	255535	255623	255512	255693	255700
L200CS	Carbon Steel	Severe Duty	None	255525	255534	255541	255509	255693	255697
L200CM	Carbon Steel	MaxLife	255619	255527	255534	255622	255510	255693	255697
L250SS	Stainless Steel	Severe Duty	None	255529	255537	255545	255515	255694	255701
L250SM	Stainless Steel	MaxLife	255620	255530	255537	255546	255516	255694	255701
L250CS	Carbon Steel	Severe Duty	None	255528	255536	255543	255513	255694	255698
L250CM	Carbon Steel	MaxLife	255620	255530	255536	255544	255514	255694	255698
L500SS	Stainless Steel	Severe Duty	None	255531	255538	255549	255519	255695	255702
L500SM	Stainless Steel	MaxLife	255621	255532	255538	255550	255520	255695	255702
L500CS	Carbon Steel	Severe Duty	None	255531	255538	255547	255517	255695	255699
L500CM	Carbon Steel	MaxLife	255621	255532	255538	255548	255518	255695	255699

### Dura-Flo Lowers

Part #	Lower Material	Coating	Complete Seal Kit
L145SS	Stainless Steel	Severe Duty	237609
L180SS	Stainless Steel	Severe Duty	237608
L220SS	Stainless Steel	Severe Duty	237710
L290SS	Stainless Steel	Severe Duty	237713
L430CS	Carbon Steel	Severe Duty	222845
L430SS	Stainless Steel	Severe Duty	222845
L430SM	Stainless Steel	MaxLife	253744
L580CS	Carbon Steel	Severe Duty	222875
L580SS	Stainless Steel	Severe Duty	222875
L580SM	Stainless Steel	MaxLife	253745



## ABOUT GRACO

### PROVEN QUALITY. LEADING TECHNOLOGY.

Founded in 1926, Graco is a world leader in fluid handling systems and components. Graco products move, measure, control, dispense and apply a wide range of fluids and viscous materials used in vehicle lubrication, commercial and industrial settings.

The company's success is based on its unwavering commitment to technical excellence, world-class manufacturing and unparalleled customer service. Working closely with qualified distributors, Graco offers systems, products and technology that set the quality standard in a wide range of fluid handling solutions. Graco provides equipment for spray finishing, protective coating, paint circulation, lubrication, and dispensing sealants and adhesives, along with power application equipment for the contractor industry. Graco's ongoing investment in fluid management and control will continue to provide innovative solutions to a diverse global market.

## GRACO LOCATIONS

### MAILING ADDRESS

P.O. Box 1441  
Minneapolis, MN 55440-1441  
Tel: 612-623-6000  
Fax: 612-623-6777

### AMERICAS

#### MINNESOTA

Worldwide Headquarters  
Graco Inc.  
88-11th Avenue N.E.  
Minneapolis, MN 55413

#### OHIO

3400 Port Jackson NE  
North Canton, OH 44720  
Tel: 800-746-1334

### EUROPE

#### BELGIUM

European Headquarters  
Graco N.V.  
Industrieterrein-Oude Bunders  
Slakweidestraat 31  
3630 Maasmechelen,  
Belgium  
Tel: 32 89 770 700  
Fax: 32 89 770 777

### ASIA PACIFIC

#### AUSTRALIA

Graco Australia Pty Ltd.  
Suite 17, 2 Enterprise Drive  
Bundoora, Victoria 3083  
Australia  
Tel: 61 3 9467 8558  
Fax: 61 3 9467 8559

#### CHINA

Graco Hong Kong Ltd.  
Shanghai Representative Office  
Room 118 1st Floor  
No.2 Xin Yuan Building  
No.509 Cao Bao Road  
Shanghai, 200233  
The People's Republic of China  
Tel: 86 21 649 50088  
Fax: 86 21 649 50077

#### INDIA

Graco Hong Kong Ltd.  
India Liaison Office  
Room 432, Augusta Point  
Regus Business Centre 53  
Golf Course Road  
Gurgaon, Haryana  
India 122001  
Tel: 91 124 435 4208  
Fax: 91 124 435 4001

#### JAPAN

Graco K.K.  
1-27-12 Hayabuchi  
Tsuzuki-ku  
Yokohama City, Japan 2240025  
Tel: 81 45 593 7300  
Fax: 81 45 593 7301

#### KOREA

Graco Korea Inc.  
Shinhan Bank Building  
4th Floor #1599  
Gwanyang-Dong, Dongan-Ku,  
Anyang-si, Korea 431-060  
Tel: 82 31 476 9400  
Fax: 82 31 476 9801

## SALES/ DISTRIBUTION/ SERVICE

Call today for product information or to request a demonstration.

**800-746-1334** or visit us at [www.graco.com](http://www.graco.com).

Graco Inc. is registered to I.S. EN ISO 9001

