

# ProMix<sup>®</sup> 2KE Stand Kits

3A1325C

EN

Portable stands for ProMix 2KE Electronic Proportioners. For professional use only.

## Part No. 24F301

For Pump-Based Systems

## Part No. 24G611

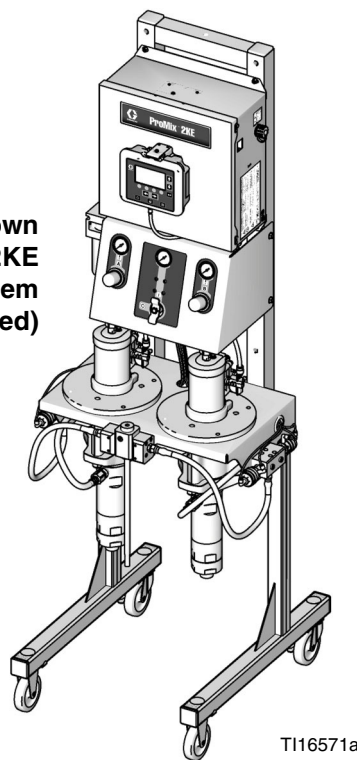
For Meter-Based Systems



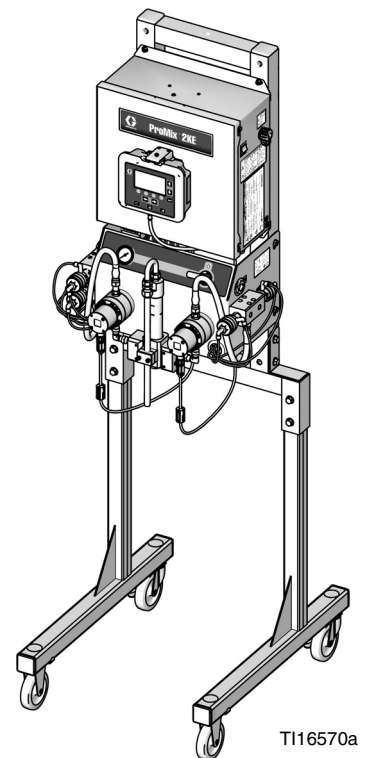
### Important Safety Instructions

Read all warnings and instructions in your separate ProMix 2KE manuals. Save these instructions.

24F301 Stand Kit shown installed on ProMix 2KE Pump-Based System (not included)



24G611 Stand Kit shown installed on ProMix 2KE Meter-Based System (not included)



# 24F301 Stand Kit, for Pump-Based Systems

## 24F301 Kit Parts

Ref.	Description	Qty.
801	TUBE, cart	2
802	PLUG, tube	4
803	CASTER, cart	2
804	CASTER, swivel, with brake	2
805	NUT, hex	8
806	WASHER, lock	8
807	WASHER	16
808	SCREW, cap, hex hd'	8
809	PLUG, button	4
810	NUT	4
811	WASHER	4

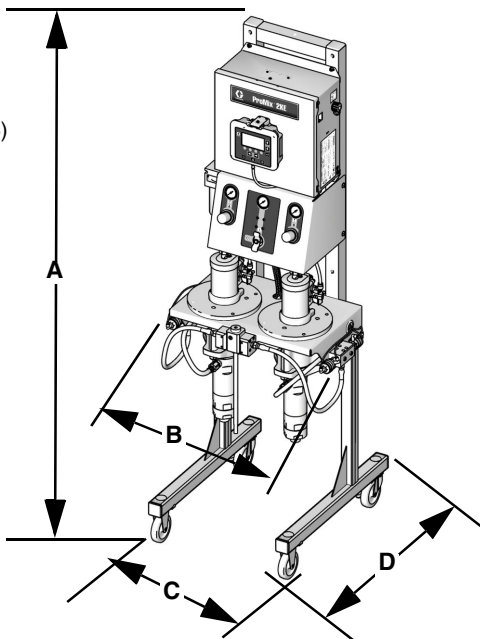
NOTE: Stand parts are not sold separately.

## Install the Cart

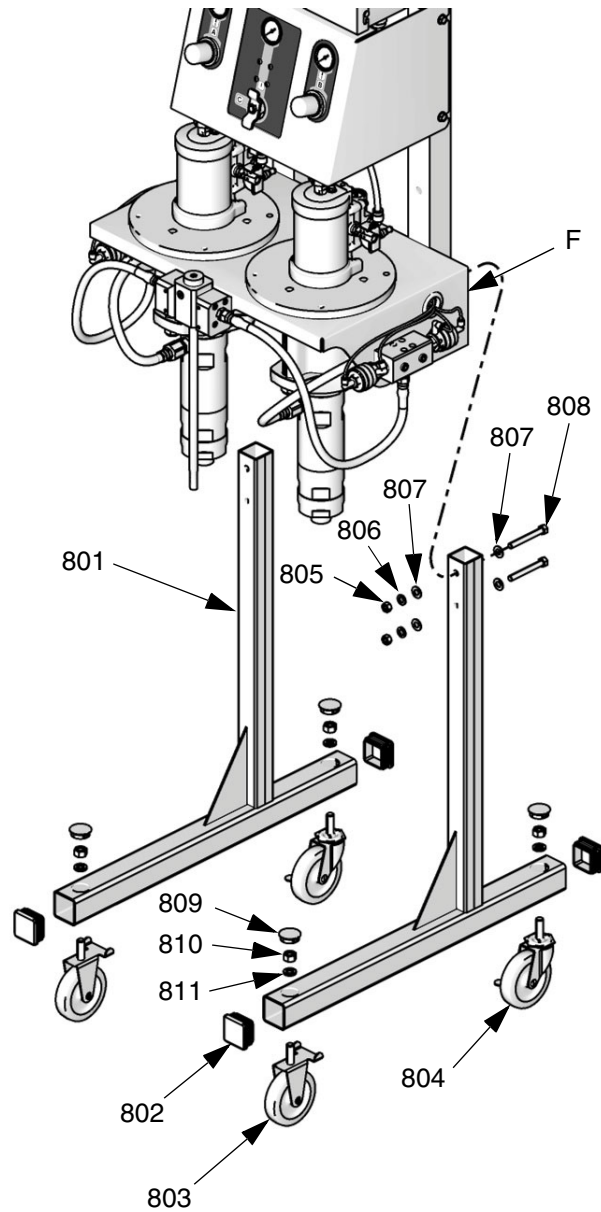
1. See FIG. 1. Assemble the two sides of the cart as shown. The swivel casters with brake (804) must be installed at the rear of the cart.
2. Insert each side of the cart into the ProMix 2KE frame (F). Secure with the screws (808), washers (807), lockwashers (806), and nuts (805).

## Dimensions

Ref.	in. (mm)
A	72.56 (1843)
B	25.76 (655)
C	21.75 (553)
D	27.00 (686)



T116571a



T116568a

FIG. 1. 24F301 Stand Kit, for Pump-Based Systems

# 24G611 Stand Kit, for Meter-Based Systems

## 24G611 Kit Parts

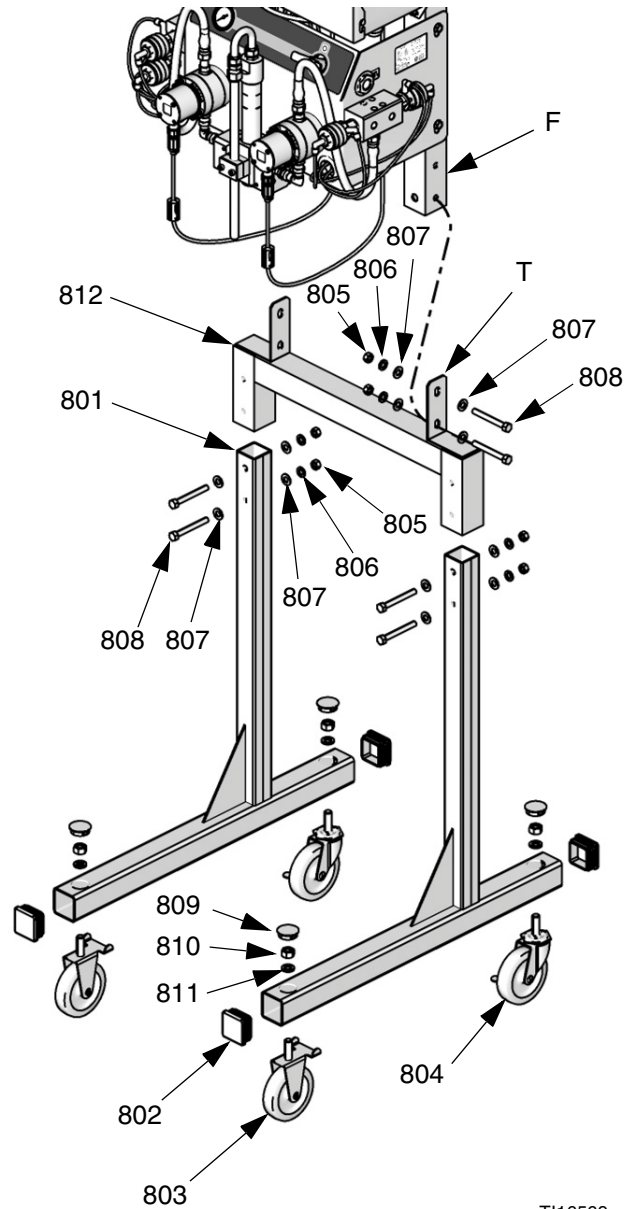
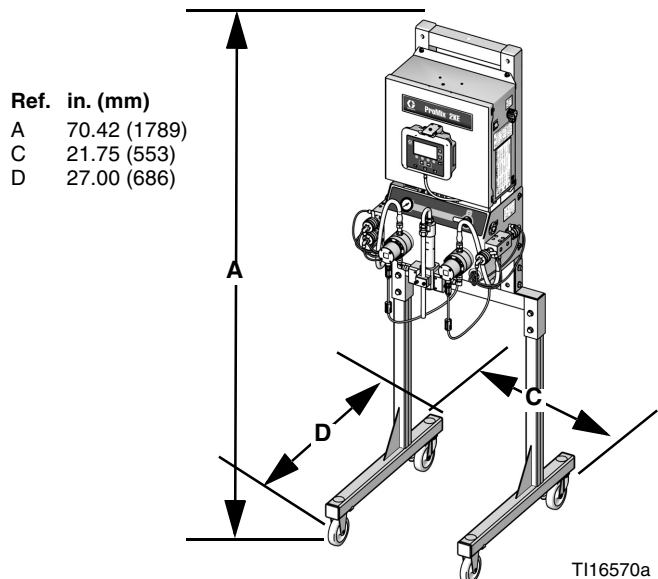
Ref.	Description	Qty.
801	TUBE, cart	2
802	PLUG, tube	4
803	CASTER, cart	2
804	CASTER, swivel, with brake	2
805	NUT, hex	8
806	WASHER, lock	8
807	WASHER	16
808	SCREW, cap, hex hd'	8
809	PLUG, button	4
810	NUT	4
811	WASHER	4
812	ADAPTER, meter stand	1

*NOTE: Stand parts are not sold separately.*

## Install the Cart

1. See FIG. 2. Assemble the two sides of the cart as shown. The swivel casters with brake (804) must be installed at the rear of the cart.
2. Install the meter stand adapter (812) on the two sides of the cart and secure with the screws (808), washers (807), lockwashers (806), and nuts (805).
3. Install the cart onto the ProMix 2KE frame (F) with the tabs (T) on the outside of the frame posts. Secure with the screws (808), washers (807), lockwashers (806), and nuts (805).

## Dimensions



**FIG. 2. 24G611 Stand Kit, for Meter-Based Systems**

**NOTICE**

The kit is not designed to be shipped when assembled to a system. Damage will occur.

# Graco Standard Warranty

Graco warrants all equipment referenced in this document which is manufactured by Graco and bearing its name to be free from defects in material and workmanship on the date of sale to the original purchaser for use. With the exception of any special, extended, or limited warranty published by Graco, Graco will, for a period of twelve months from the date of sale, repair or replace any part of the equipment determined by Graco to be defective. This warranty applies only when the equipment is installed, operated and maintained in accordance with Graco's written recommendations.

This warranty does not cover, and Graco shall not be liable for general wear and tear, or any malfunction, damage or wear caused by faulty installation, misapplication, abrasion, corrosion, inadequate or improper maintenance, negligence, accident, tampering, or substitution of non-Graco component parts. Nor shall Graco be liable for malfunction, damage or wear caused by the incompatibility of Graco equipment with structures, accessories, equipment or materials not supplied by Graco, or the improper design, manufacture, installation, operation or maintenance of structures, accessories, equipment or materials not supplied by Graco.

This warranty is conditioned upon the prepaid return of the equipment claimed to be defective to an authorized Graco distributor for verification of the claimed defect. If the claimed defect is verified, Graco will repair or replace free of charge any defective parts. The equipment will be returned to the original purchaser transportation prepaid. If inspection of the equipment does not disclose any defect in material or workmanship, repairs will be made at a reasonable charge, which charges may include the costs of parts, labor, and transportation.

**THIS WARRANTY IS EXCLUSIVE, AND IS IN LIEU OF ANY OTHER WARRANTIES, EXPRESS OR IMPLIED, INCLUDING BUT NOT LIMITED TO WARRANTY OF MERCHANTABILITY OR WARRANTY OF FITNESS FOR A PARTICULAR PURPOSE.**

Graco's sole obligation and buyer's sole remedy for any breach of warranty shall be as set forth above. The buyer agrees that no other remedy (including, but not limited to, incidental or consequential damages for lost profits, lost sales, injury to person or property, or any other incidental or consequential loss) shall be available. Any action for breach of warranty must be brought within two (2) years of the date of sale.

**GRACO MAKES NO WARRANTY, AND DISCLAIMS ALL IMPLIED WARRANTIES OF MERCHANTABILITY AND FITNESS FOR A PARTICULAR PURPOSE, IN CONNECTION WITH ACCESSORIES, EQUIPMENT, MATERIALS OR COMPONENTS SOLD BUT NOT MANUFACTURED BY GRACO.** These items sold, but not manufactured by Graco (such as electric motors, switches, hose, etc.), are subject to the warranty, if any, of their manufacturer. Graco will provide purchaser with reasonable assistance in making any claim for breach of these warranties.

In no event will Graco be liable for indirect, incidental, special or consequential damages resulting from Graco supplying equipment hereunder, or the furnishing, performance, or use of any products or other goods sold hereto, whether due to a breach of contract, breach of warranty, the negligence of Graco, or otherwise.

## **FOR GRACO CANADA CUSTOMERS**

The Parties acknowledge that they have required that the present document, as well as all documents, notices and legal proceedings entered into, given or instituted pursuant hereto or relating directly or indirectly hereto, be drawn up in English. Les parties reconnaissent avoir convenu que la rédaction du présente document sera en Anglais, ainsi que tous documents, avis et procédures judiciaires exécutés, donnés ou intentés, à la suite de ou en rapport, directement ou indirectement, avec les procédures concernées.

# Graco Information

For the latest information about Graco products, visit [www.graco.com](http://www.graco.com).

For patent information, see [www.graco.com/patents](http://www.graco.com/patents).

**TO PLACE AN ORDER**, contact your Graco distributor or call to identify the nearest distributor.

**Phone:** 612-623-6921 **or Toll Free:** 1-800-328-0211 **Fax:** 612-378-3505

*All written and visual data contained in this document reflects the latest product information available at the time of publication.  
Graco reserves the right to make changes at any time without notice.*

Original instructions. This manual contains English. MM 3A1325

**Graco Headquarters:** Minneapolis  
**International Offices:** Belgium, China, Japan, Korea

**GRACO INC. AND SUBSIDIARIES • P.O. BOX 1441 • MINNEAPOLIS, MN 55440-1441 • USA**

**Copyright 2010, Graco Inc. All Graco manufacturing locations are registered to ISO 9001.**

[www.graco.com](http://www.graco.com)  
Revised April 2014